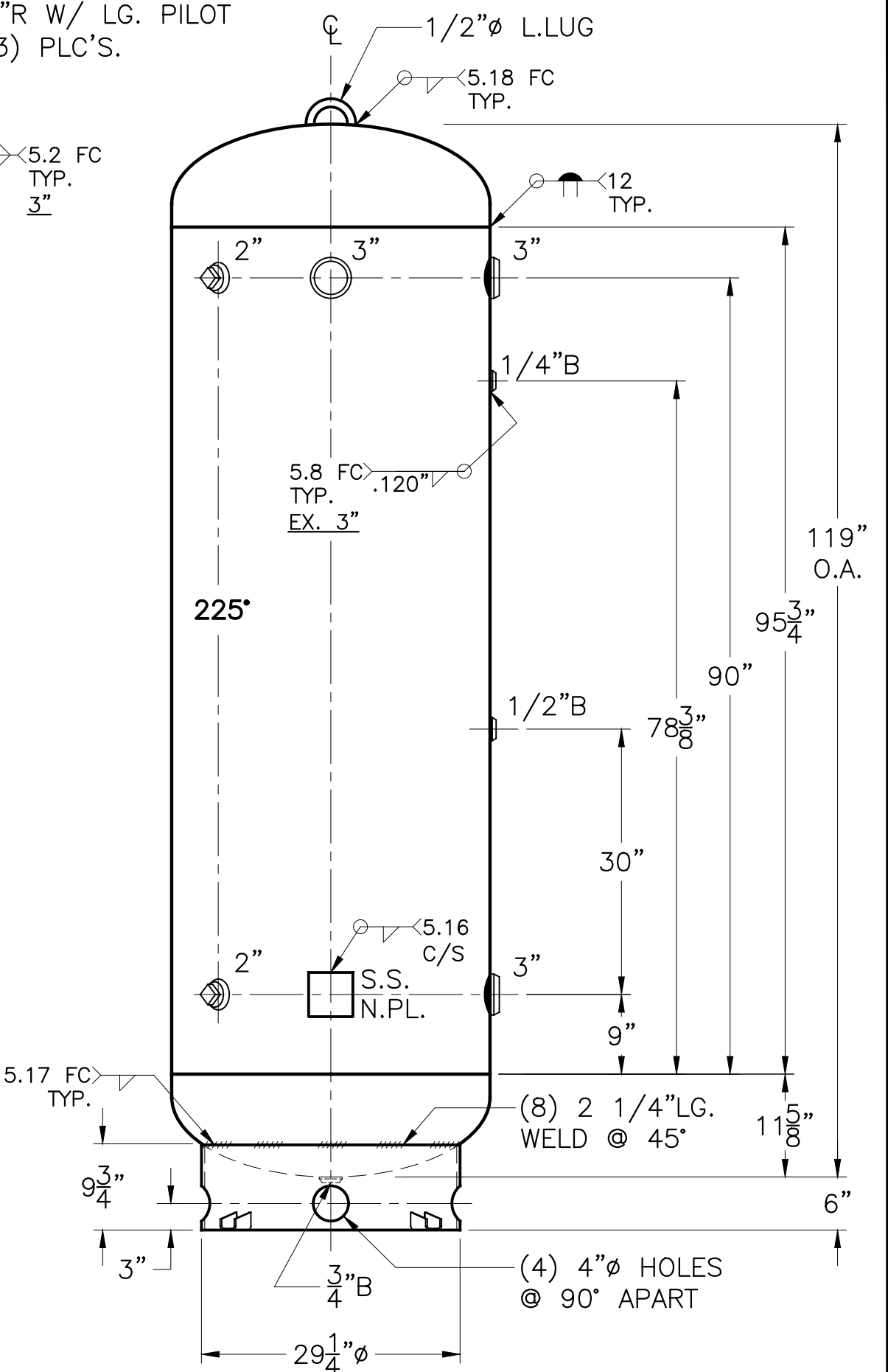


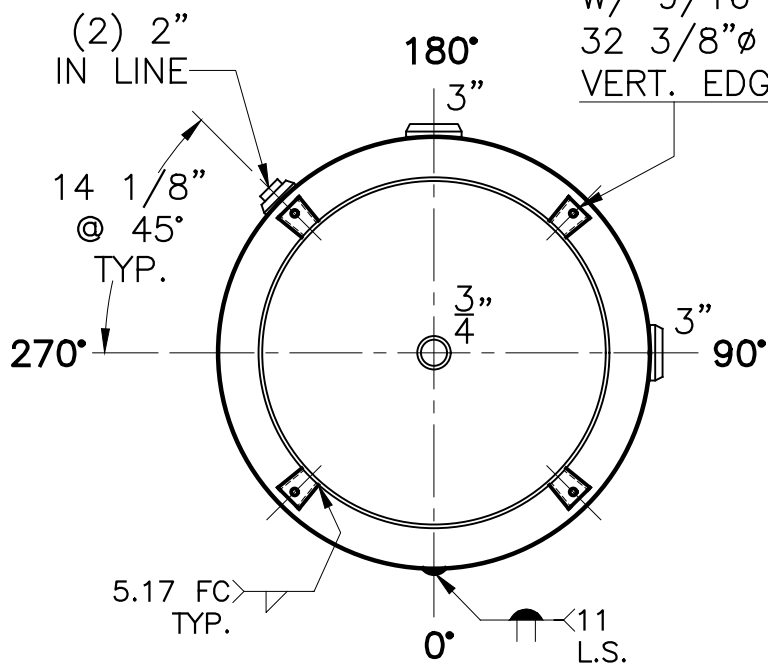
2" B W/ C.I. PLUG  
 INSP. OPENING  
 (2) PLC'S.

3" R W/ LG. PILOT  
 (3) PLC'S.

.140"  
 .140"  
 5.2 FC  
 TYP.  
 3"



1/4" THK. CLIPS PER  
 MA-395-B (4) PLC'S.  
 W/ 9/16"  $\phi$  HOLE ON  
 32 3/8"  $\phi$  B.C.; WELD OUTSIDE  
 VERT. EDGE OF CLIP ONLY



NOTE: 1) HYDRO @ 325 PSIG. MIN.

SHELL / HEADS		.252" SA-455 2:1 S.E.	
JOGGLE			
M.A.W.P.	250 PSIG. @ 400 °F		
M.D.M.T.	-20 °F @ 250 PSIG.		
ASME SECTION VIII DIV. 1, 2015			
X-RAY: RT-4 SPOT L.S. ONLY			
GALLONS:	500	WT.	1160 LBS.
SERIAL NO.			
N.B.			
36-VC-500-R		REV.	8-23-17
FOR: HANSON STANDARD		DATE:	9-15-86
VERT. AIR TANK			
SURFACE AREA = 98.9 SQ. FT.			
INSIDE: UNPAINTED			
OUTSIDE: PRIME			
CAD-"B" UNDER "STD"-SERIES			
BY: J.G.	SCALE: 3/4" = 12"		
<b>ROY E. HANSON JR. MFG.</b>			
LOS ANGELES, CA 90021			