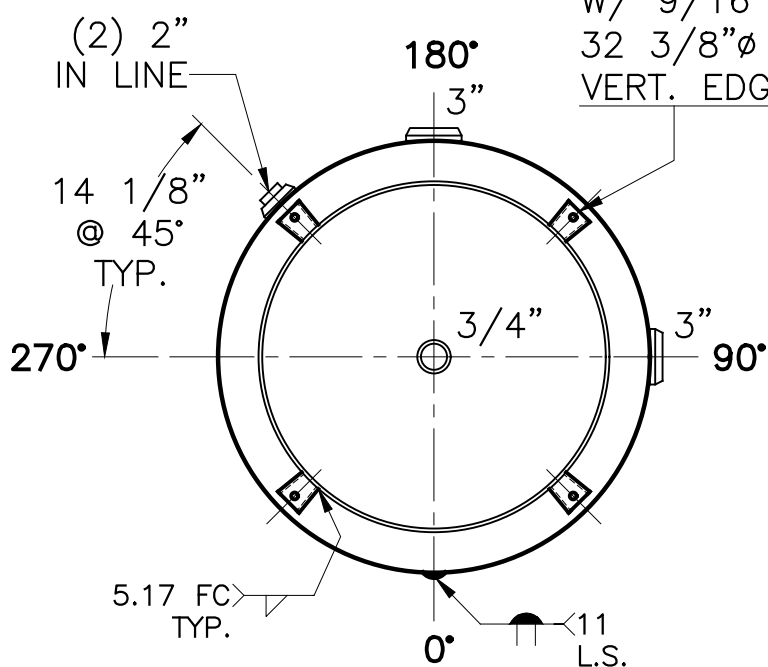


1/4" THK. CLIPS PER
MA-395-B (4) PLC'S.
W/ 9/16"Ø HOLE ON
32 3/8"Ø B.C.; WELD OUTSIDE
VERT. EDGE OF CLIP ONLY



NOTE: 1) HYDRO @ 325 PSIG. MIN.

SHELL / HEADS		.252" SA-455 2:1 S.E.	
JOGGLE			
M.A.W.P.	250 PSIG. @ 400 °F		
M.D.M.T.	-20 °F @ 250 PSIG.		
ASME SECTION VIII DIV. 1, 2013			
X-RAY: RT-4 SPOT L.S. ONLY			
GALLONS:	400	WT.	995 LBS.
SERIAL NO.			
N.B.			
36-VC-400-R		REV. 10-30-15	
FOR: HANSON STANDARD		DATE: 3-22-99	
VERT. AIR TANK			
SURFACE AREA = 82.3 SQ. FT.			
INSIDE: UNPAINTED			
OUTSIDE: PRIME			
CAD-"B" UNDER "STD"-SERIES			
BY: E.S.	SCALE: 3/4"=12"		
ROY E. HANSON JR. MFG.			
LOS ANGELES, CA 90021			