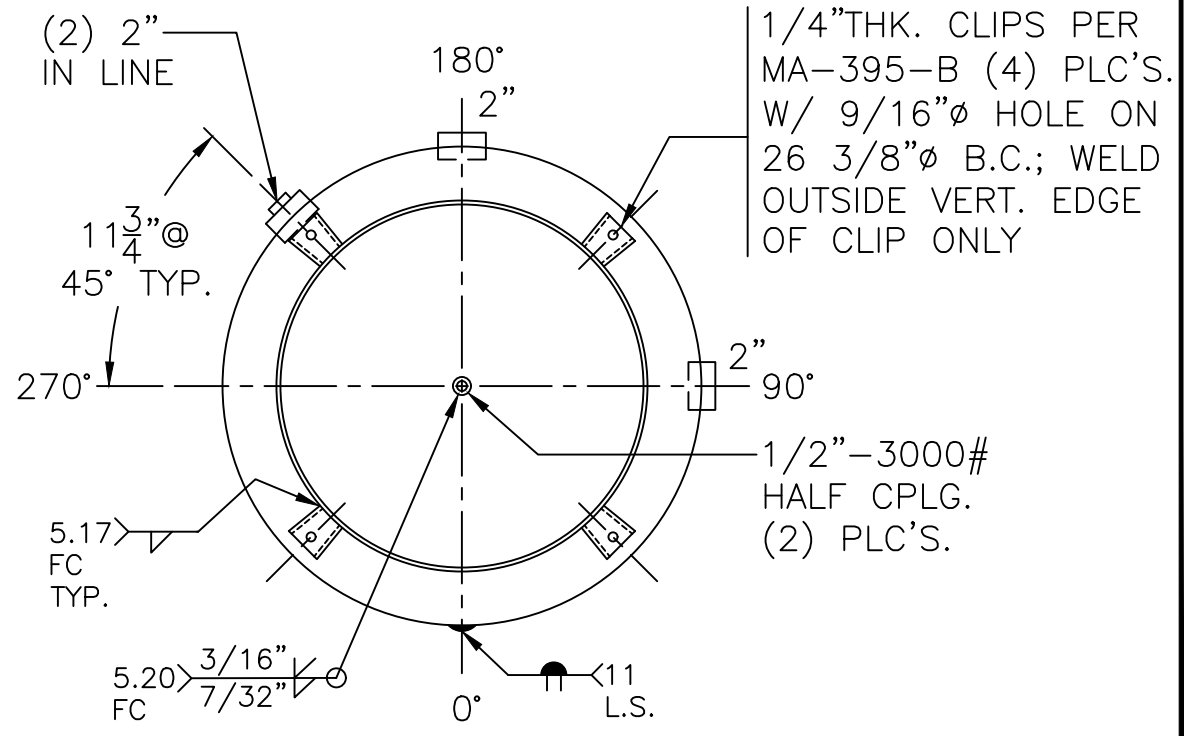


2"-3000# H.C.
W/STL. PLUG
INSP. OPENING
(2) PLC'S.

NOTE: 1) HYDRO @ 520 PSIG. MIN.

SHELL / HEADS	.338" SA-455 2:1 S.E. (.337" MIN.)
M.A.W.P.	400 PSIG. @ 400 °F
M.D.M.T.	-20 °F @ 400 PSIG.
ASME SECTION VIII	DIV. 1, 2017
X-RAY:	RT-4 SPOT L.S. ONLY
GALLONS:	240 WT. 930 LBS.
SERIAL NO.	
N.B.	

30-VJ-240-R	REV. 10-26-18
FOR: HANSON STANDARD	DATE: 3-24-99
VERT. AIR TANK	
SURFACE AREA = 61.2 SQ. FT.	
INSIDE: UNPAINTED	
OUTSIDE: PRIME	
CAD "B" SIZE UNDER "STD" SERIES	
BY: J.G.	SCALE: 1"=12"
ROY E. HANSON JR. MFG.	
LOS ANGELES, CA 90021	



1/4" THK. CLIPS PER
MA-395-B (4) PLC'S.
W/ 9/16" Ø HOLE ON
26 3/8" Ø B.C.; WELD
OUTSIDE VERT. EDGE
OF CLIP ONLY