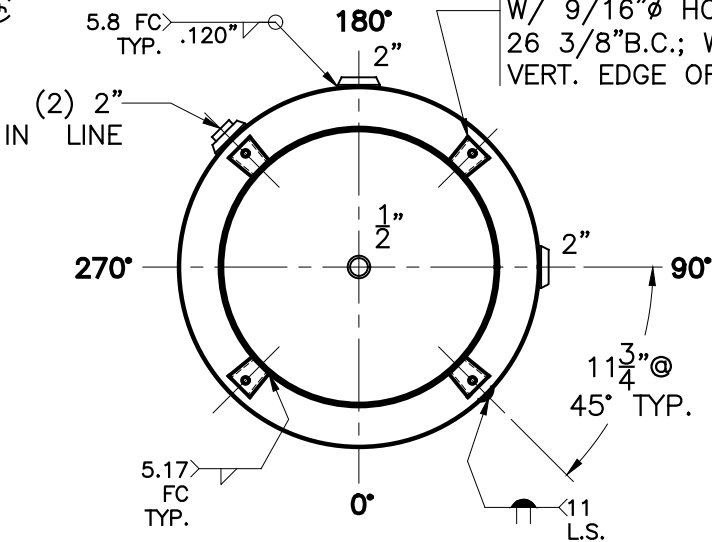


1/4" THK. CLIPS PER MA-395-B (4) PLC'S. W/ 9/16" ø HOLE ON 26 3/8" B.C.; WELD OUTSIDE VERT. EDGE OF CLIP ONLY



NOTE: 1) HYDRO @ 390 PSIG. MIN.
2) IMPACT TESTED? NO UG-20(F)
3) CRN - K5970.1

SHELL / HEADS	
JOGGLE	.252" SA-455 2:1 S.E.
M.A.W.P.	300 PSIG. @ 400 °F.
M.D.M.T.	-20 °F @ 300 PSIG.
ASME SECTION VIII	DIV. 1, 2013
X-RAY	RT-4 SPOT L.S. ONLY
GALLONS	240
WT.	679 LBS.
SERIAL NO.	
N.B.	

30-VD-240-R	REV. 12-10-13
DATE: 12-2-86	
FOR: HANSON STANDARD	
VERT. AIR TANK	
SURFACE AREA = 58.7 SQ. FT.	
INSIDE: UNPAINTED	
OUTSIDE: PRIME	
BY: E.S.	SCALE: 3/4"=12"
ROY E. HANSON JR. MFG.	
1600 E. WASHINGTON BLVD.	
LOS ANGELES, CA 90021	