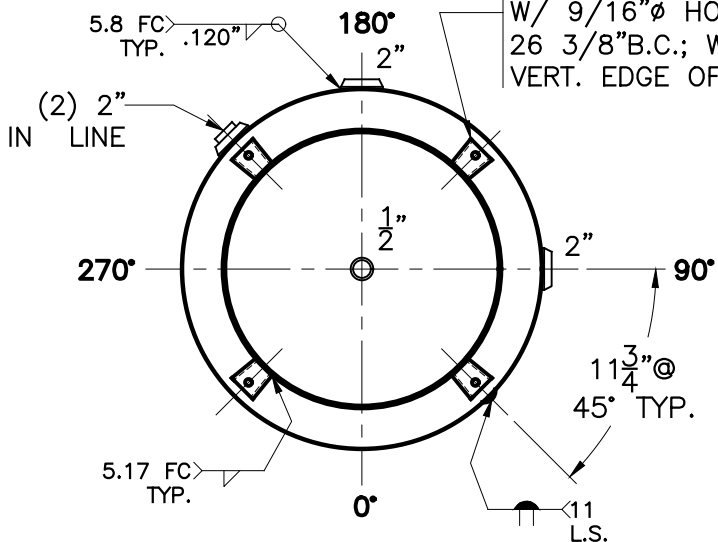


1/4" THK. CLIPS PER MA-395-B (4) PLC'S. W/ 9/16" ø HOLE ON 26 3/8" B.C.; WELD OUTSIDE VERT. EDGE OF CLIP ONLY



NOTE: 1) HYDRO @ 325 PSIG. MIN.

SHELL / HEADS	
JOGGLE	.218" SA-455 2:1 S.E.
	.252" SA-455 (.2516" MIN.)
M.A.W.P.	250 PSIG. @ 400 °F.
M.D.M.T.	-20 °F @ 250 PSIG.
ASME SECTION VIII	DIV. 1, 2017
X-RAY:	RT-NO
GALLONS:	240
WT.	655 LBS.
SERIAL NO.	
N.B.	
30-VC-240-R	
FOR: HANSON STANDARD	REV. 4-12-18
VERT. AIR TANK	DATE: 12-2-86
SURFACE AREA = 58.7 SQ. FT.	
INSIDE: UNPAINTED	
OUTSIDE: PRIME	
BY: J.G.	SCALE: 3/4"=12"
ROY E. HANSON JR. MFG.	
LOS ANGELES, CA 90021	