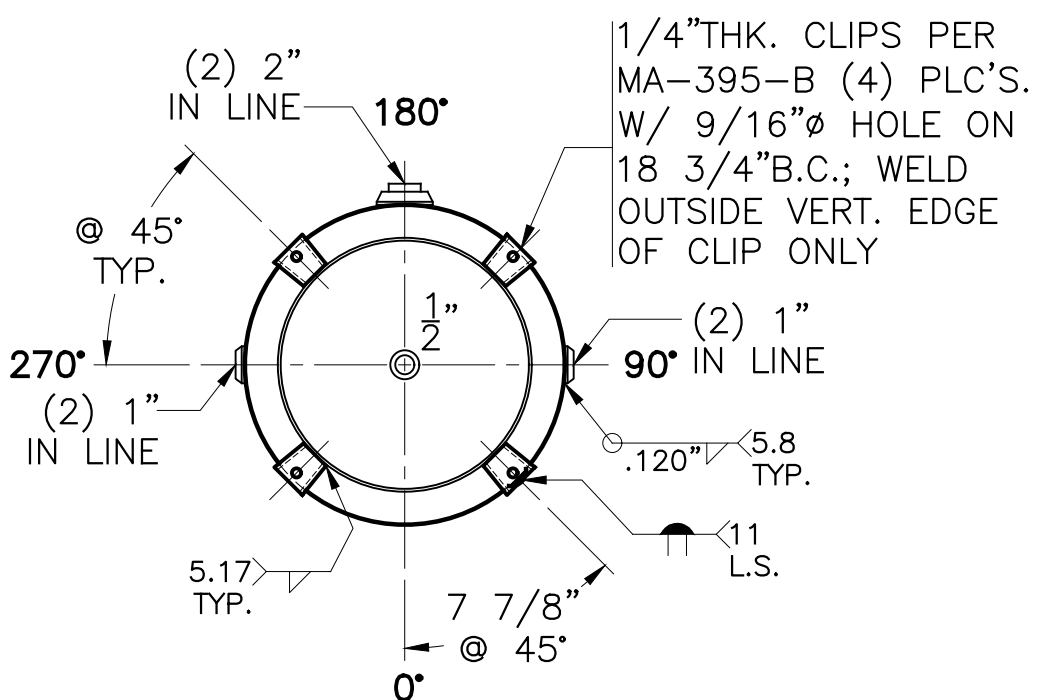
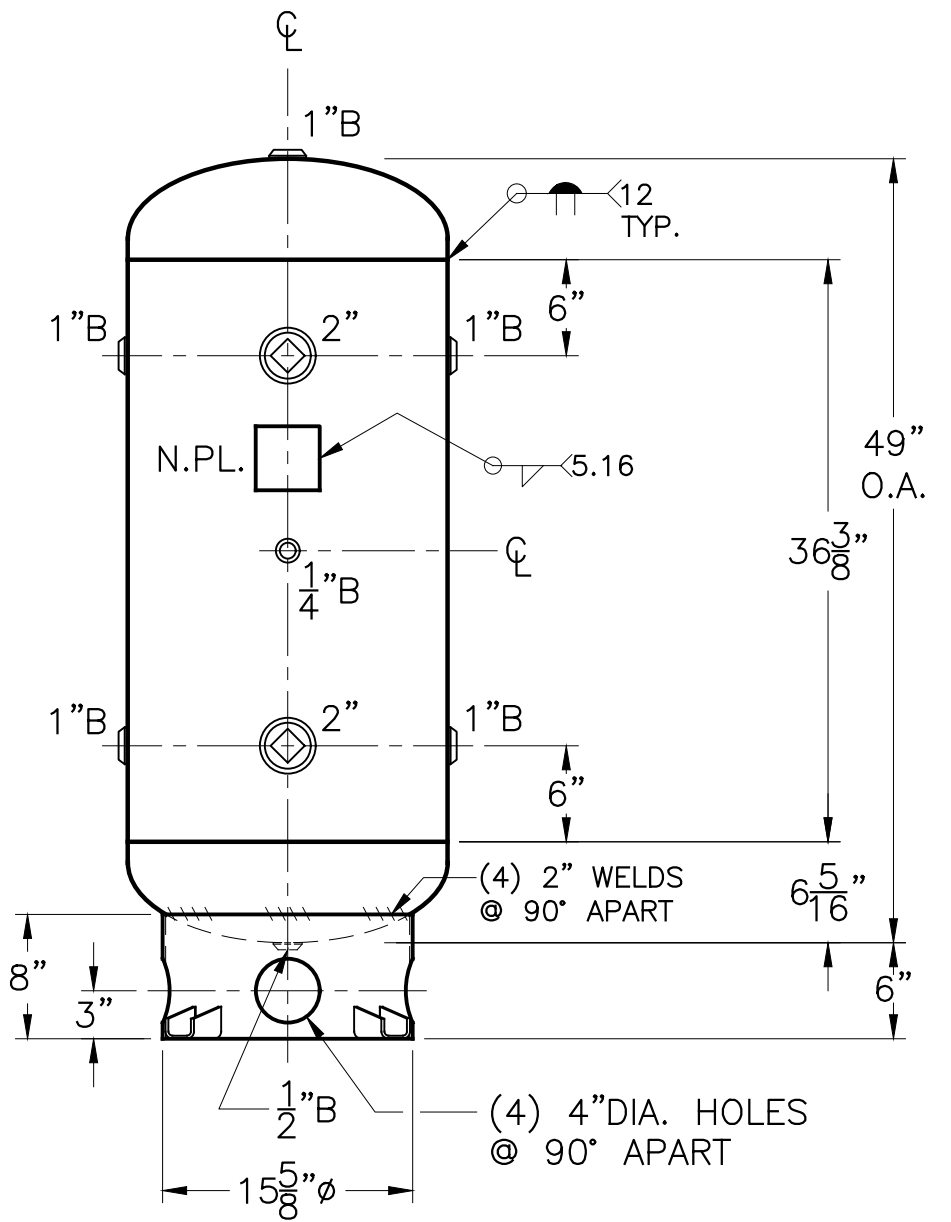


2"R (10"R)  
W/ C.I. PLUG  
INSP. OPENING  
(2) PLC'S.



NOTE: 1) HYDRO @ 390 PSIG. MIN.

SHELL / HEADS	
.164" MIN. SA-414-G 2:1 S.E.	
JOGGLE - .159" OFFSET	
.199" MIN. SA-455	
M.A.W.P.	300 PSIG. @ 400 °F
M.D.M.T.	-20 °F @ 300 PSIG.
ASME SECTION VIII DIV. 1, 2013	
X-RAY:	RT-NO
GALLONS:	60
WT.	201 LBS.
SERIAL NO.	
N.B.	

<b>20-VD-60-R</b>	REV. 8-24-15
FOR: HANSON STANDARD	DATE: 10-20-92
VERT. AIR TANK	
SURFACE AREA = 23.0 SQ. FT.	
INSIDE: UNPAINTED	
OUTSIDE: PRIME	
CAD "B" SIZE UNDER "STD"-SERIES	
BY: E.S.	SCALE: 1"=12"
<b>ROY E. HANSON JR. MFG.</b>	
1600 E. WASHINGTON BLVD.	
LOS ANGELES, CA 90021	