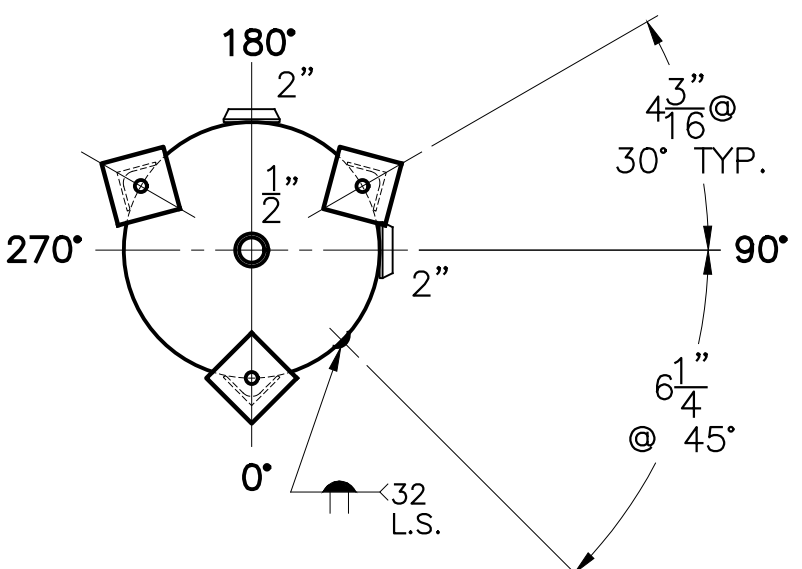


(3) 4" x 4" x 1/4" THK.
304 S.S. PAD W/3/4" Ø HOLE

(3) 2 1/2" x 2 1/2" x 3/16" THK.
x 13 5/16" LG. ANGLE LEGS
304 S.S.



- NOTE: 1) HYDRO @ 325 PSIG. MIN.
2) ALL NPT ARE SA-182-304 S.S.
3) UHA-51 (e)(2) NO IMPACT TESTING.

SHELL / HEADS		.1875" SA-240-304 S.S. 2:1 S.E.	
TRIM			
M.A.W.P.	250 PSIG. @ 200 °F		
M.D.M.T.	-155 °F @ 250 PSIG.		
ASME. SECTION VIII	DIV. 1, 2015		
X-RAY:	RT-NO		
GALLONS:	30	WT.	143 LBS.
SERIAL NO.			
N.B. NO.			
INSIDE: UNPAINTED - PASSIVATE		16-VC-30-L	
OUTSIDE: BEAD BLAST & PASSIVATE		304 S.S.	
SURFACE AREA = 14.8 SQ. FT.		FOR: HANSON STANDARD	REV. 9-1-17
VERT. AIR TANK		DATE: 12-12-06	
CAD-"B" SIZED UNDER "STD"-SERIES			
BY: J.G.		SCALE: 1"=12"	
ROY E. HANSON JR. MFG.			
LOS ANGELES, CA 90021			