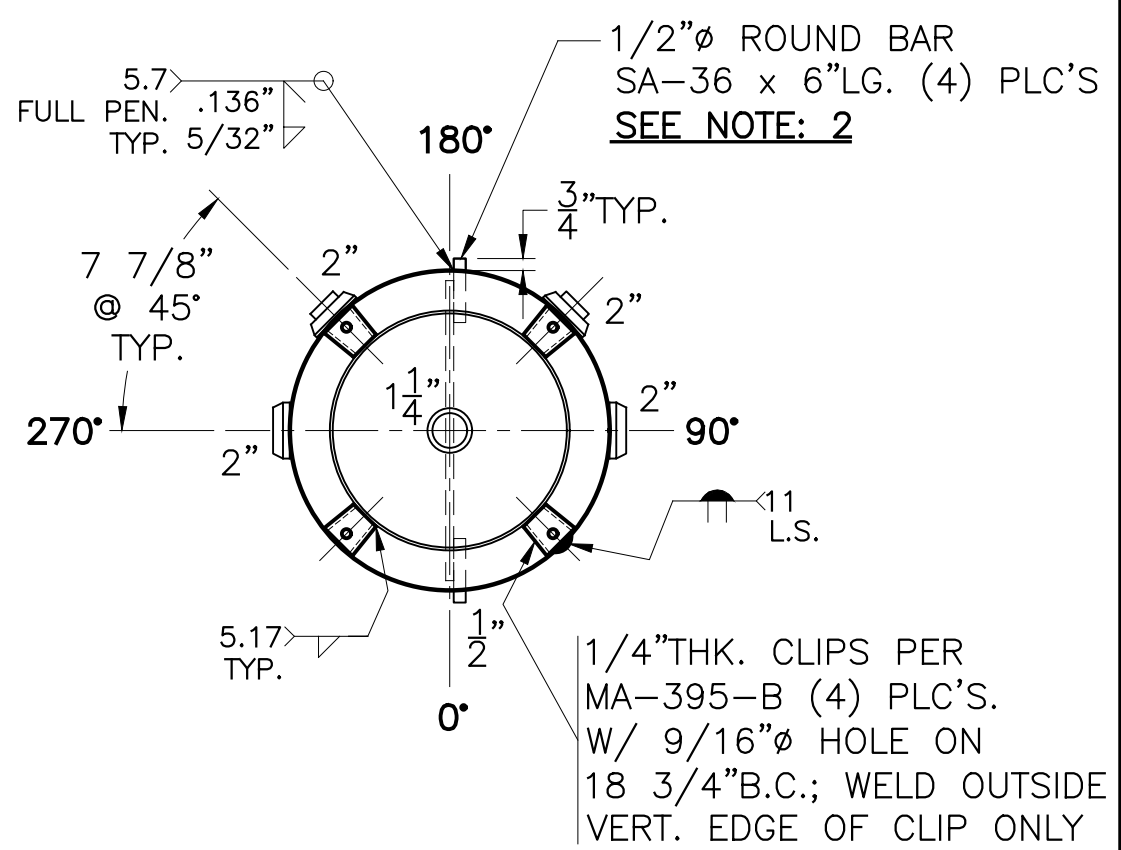
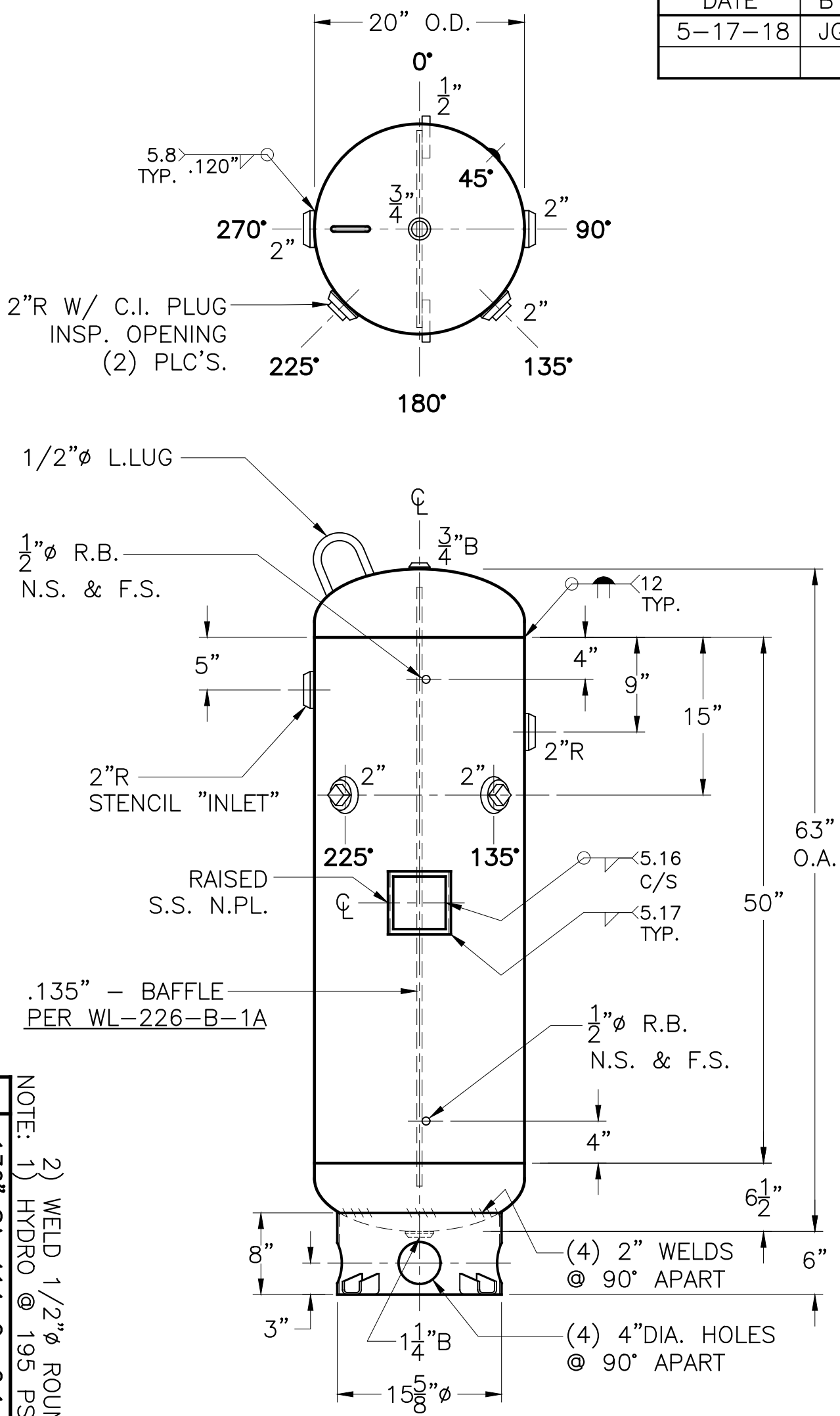


DATE	BY
5-17-18	JG



NOTE: 1) HYDRO @ 195 PSIG. MIN.
 2) WELD 1/2" ROUND BARS TO SHELL AFTER HEADS ARE IN PLACE.

SHELL / HEADS	
.136" SA-414-G	2:1 S.E.
JOGGLE - 149	OFFSET
M.A.W.P. 150 PSIG. @ 200 °F	
M.D.M.T. -20 °F @ 150 PSIG.	
ASME SECTION VIII DIV. 1, 2017	
X-RAY: RT-NO	
GALLONS: 80	WT. 201 LBS.
SERIAL NO.	
N.B.	
WL-226-B	
FOR: HANSON STANDARD	REV. 5-17-18
VERT. CHILLED WATER TANK	DATE: 8-23-05
SURFACE AREA = 29.2 SQ. FT.	
INSIDE: UNPAINTED	
OUTSIDE: SHOP PRIME	
BY: J.G.	SCALE: 1"=12"
ROY E. HANSON JR. MFG.	
LOS ANGELES, CA 90011	