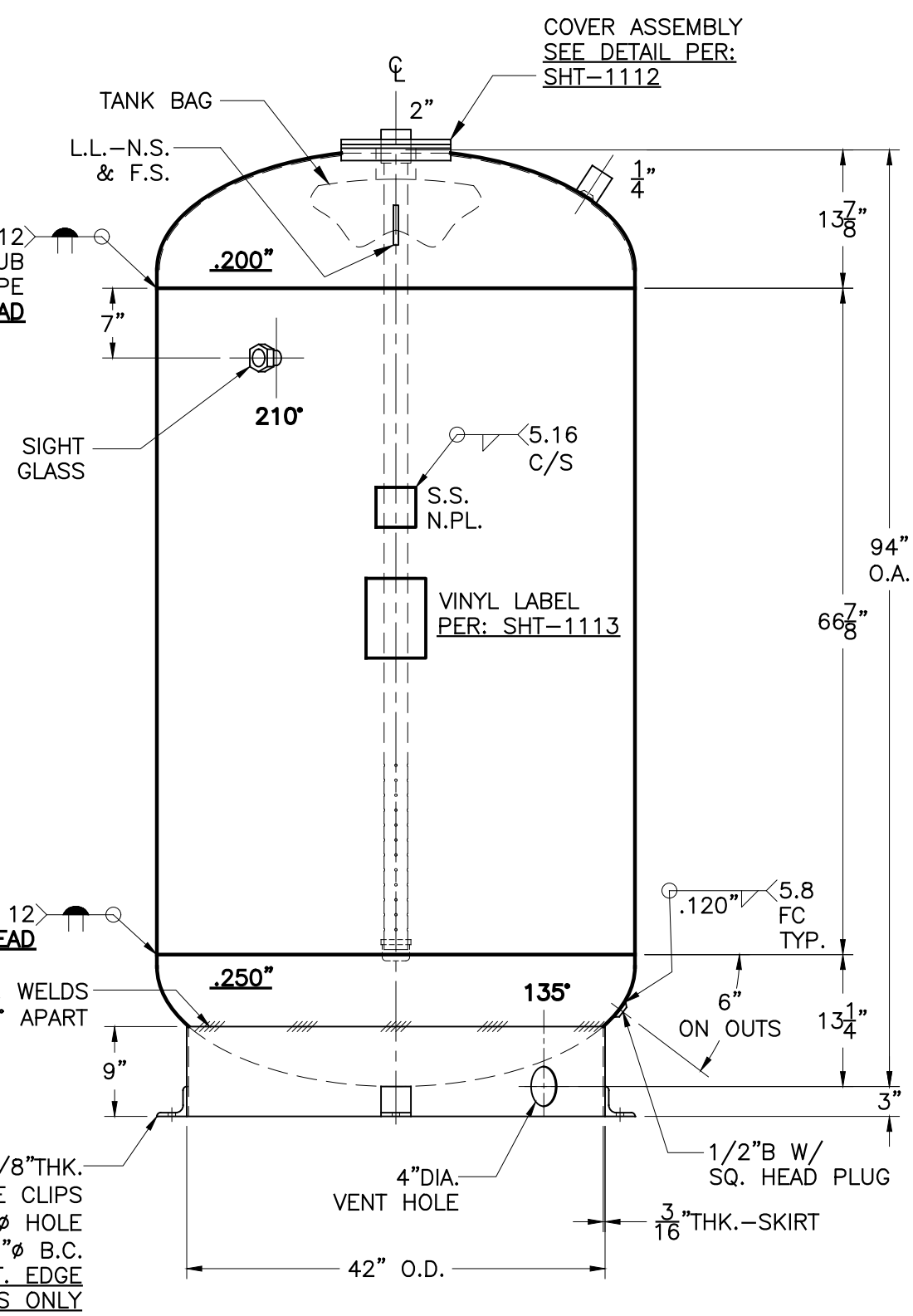
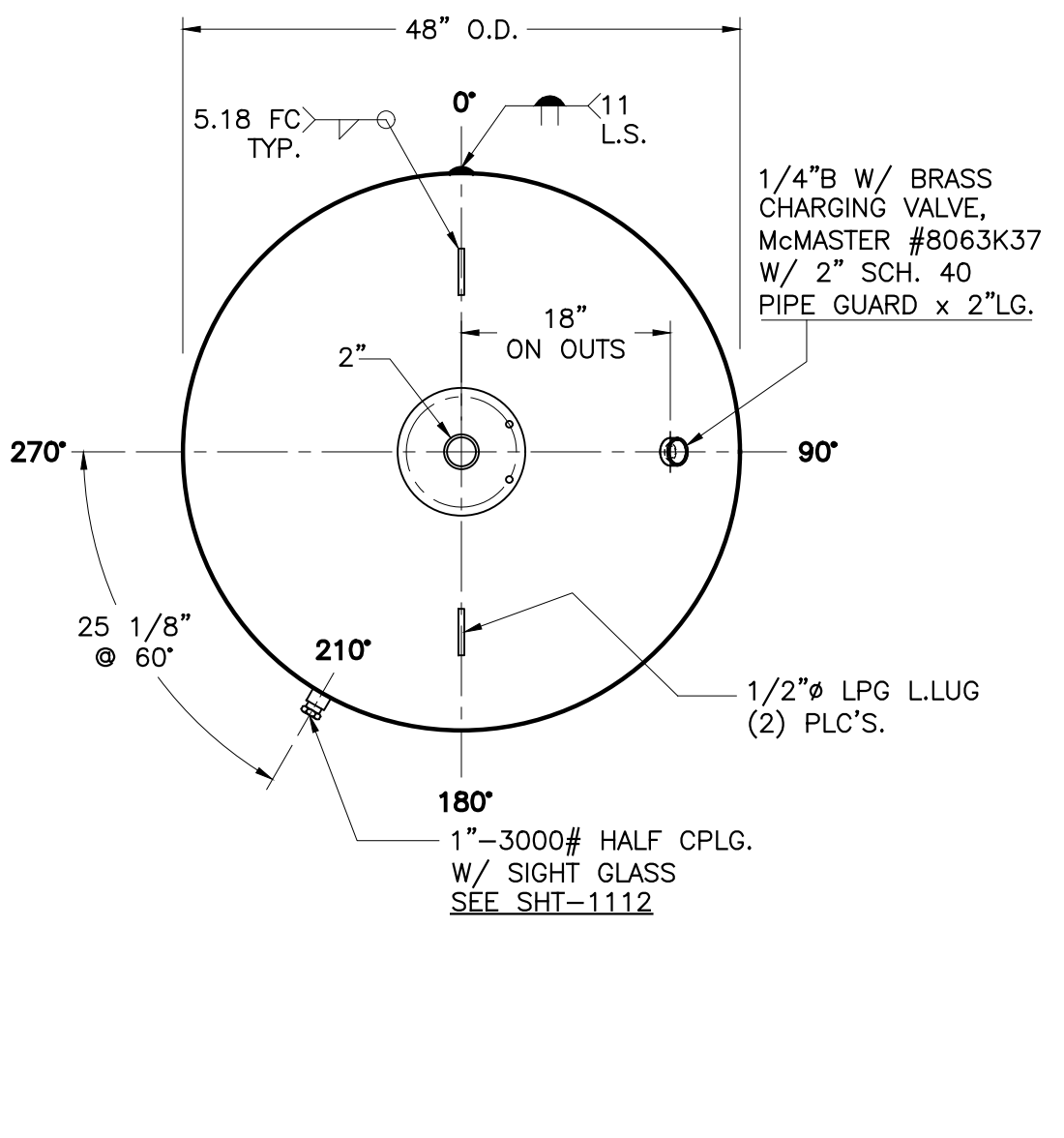


COVER ASSEMBLY DTL.



SHELL / HEADS	
TOP-.200" SA-455	2:1 S.E.
TRIM	
BTM-.250" SA-455	2:1 S.E.
JOGGLE	
.205" SA-455	
M.A.W.P.	125 PSIG. @ 240 °F
M.D.M.T.	32 °F @ 125 PSIG.
ASME. SECTION	VIII DIV. 1, 2015
X-RAY:	RT-NO
GALLONS:	660 WT. 1200 LBS.
SERIAL NO.	
N.B.	
TB-660-R	
FOR: HANSON STANDARD	REV: 1-12-17
VERT. BLADDER TANK	DATE: 4-1-05
SURFACE AREA = 108.0 SQ. FT.	
INSIDE: UNPAINTED	
OUTSIDE: PRIME	
BY: E.S.	SCALE: 3/4"=12"
ROY E. HANSON JR. MFG.	
LOS ANGELES, CA 90021	

NOTE: 1) HYDRO @ 163 PSIG. MIN.
 2) FOR NON CORROSIVE SERVICE-BLADDER TANK.
 3) WELD BOTTOM GIRTH SEAM LAST.

(4) 3"x 3"x 3/8"THK. x 3"LG. ANGLE CLIPS W/ 3/4"Ø HOLE ON 45"Ø B.C. WELD VERT. EDGE OF CLIPS ONLY