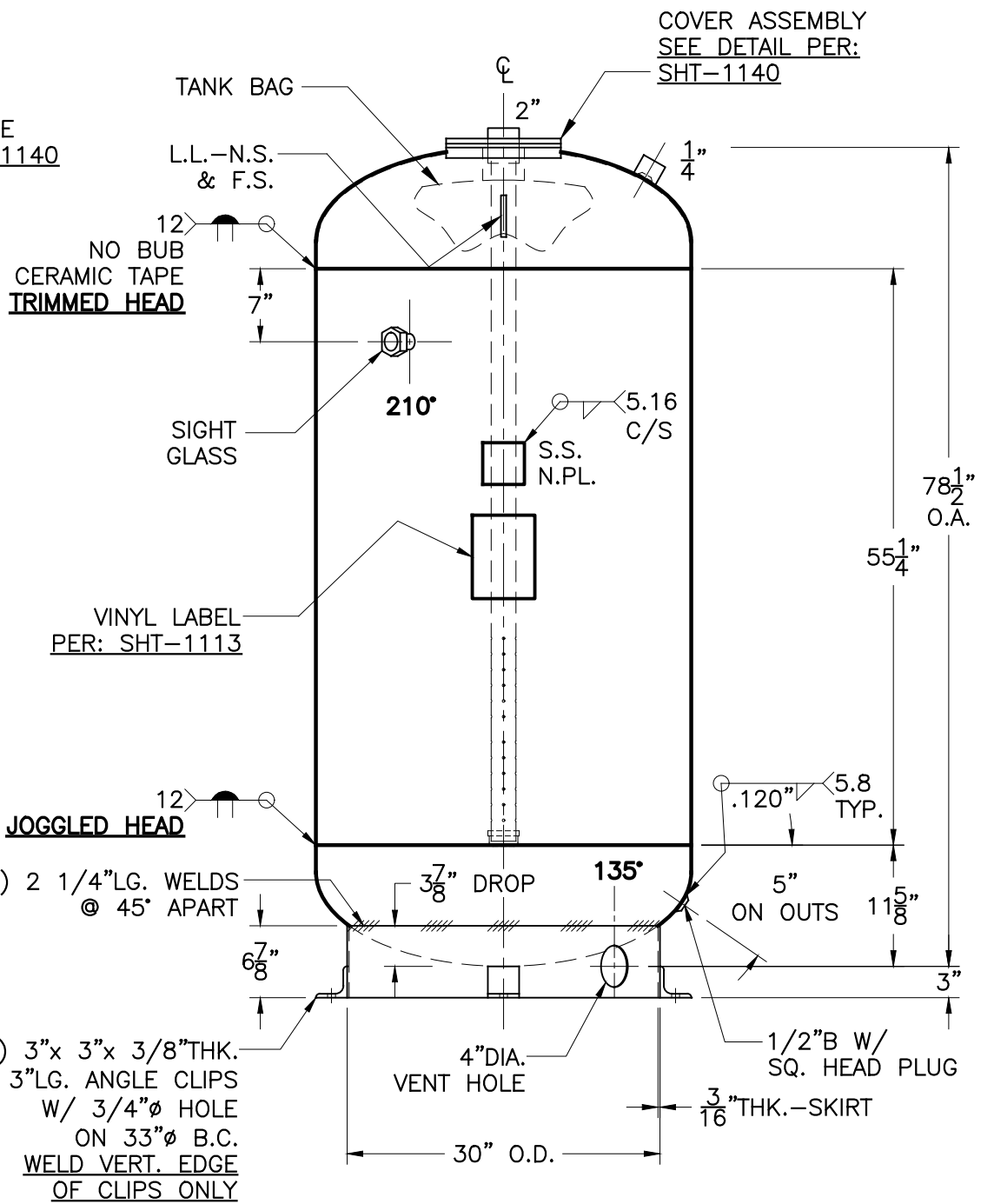
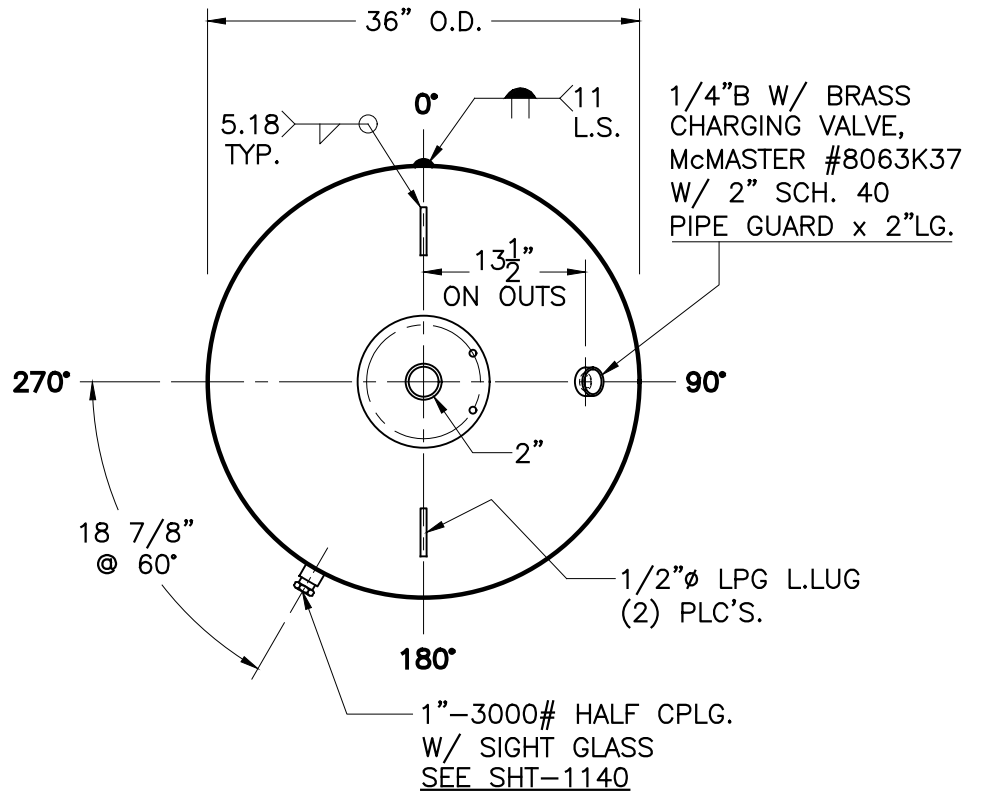


COVER ASSEMBLY DTL.



SHELL / HEADS	
TOP-.189" SA-414-G	2:1 S.E.
TRIM	
BTM-.189" SA-414-G	2:1 S.E.
JOGGLE	
.165" SA-414-G	
M.A.W.P.	125 PSIG. @ 240 °F
M.D.M.T.	32 °F @ 125 PSIG.
ASME. SECTION	VIII DIV. 1, 2015
X-RAY:	RT-NO
GALLONS:	317
SERIAL NO.	WT. 637 LBS.
N.B.	
INSIDE: UNPAINTED	
OUTSIDE: PRIMER	
BY: E.S.	SCALE: 3/4"=12"
FOR: HANSON STANDARD	
VERT. BLADDER TANK	
SURFACE AREA = 64.8 SQ. FT.	
REV: 1-12-17	DATE: 4-1-05
TB-317-R	
BY: E.S.	
ROY E. HANSON JR. MFG.	
LOS ANGELES, CA 90021	

NOTE: 1) WELD BOTTOM GIRTH SEAM LAST.
 2) INSPECTION OPENING, UG 46(f)(6).
 3) HYDRO @ 163 PSIG. MIN.