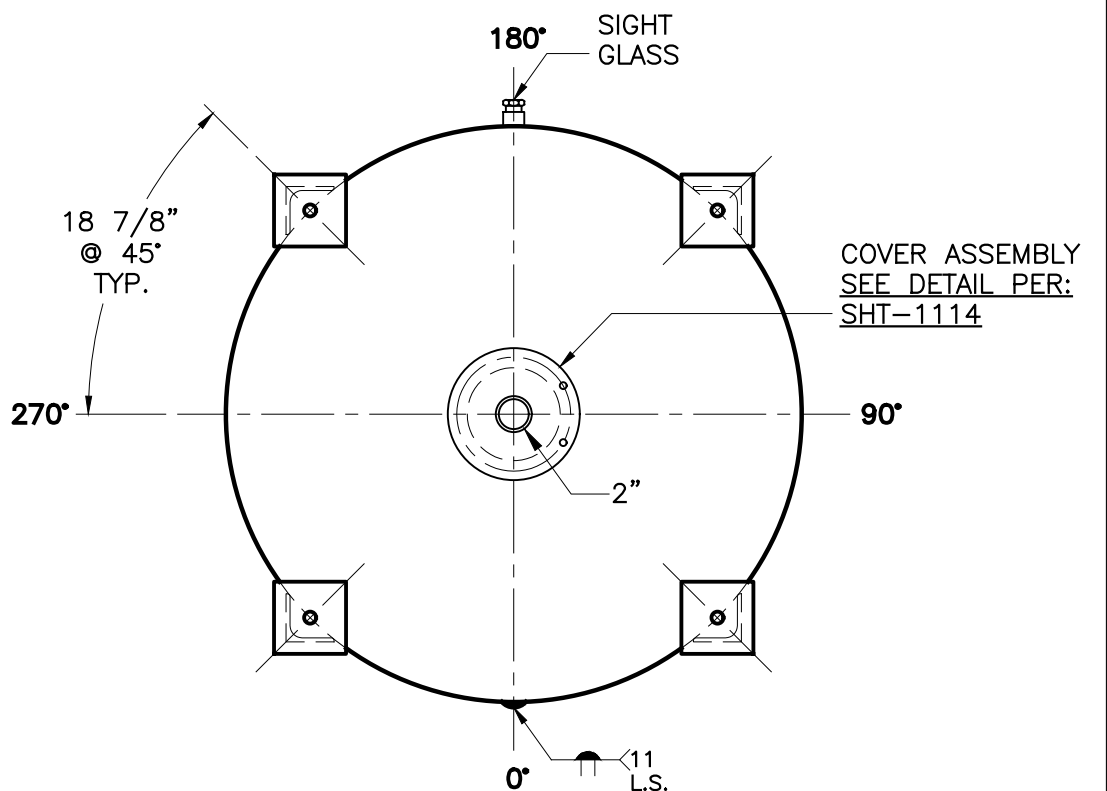


COVER ASSEMBLY DTL.

(4) 4" x 4" x 3/8" THK. x 33 3/4" LG. ANGLE LEGS

(4) 6" x 6" x 1/2" THK. PAD W/ 1" ϕ HOLE



SHELL / HEADS	
TOP-JOGGLE	.250" SA-455 2:1 S.E.
BTM-TRIM	
	.218" SA-455
M.A.W.P.	125 PSIG. @ 240 °F
M.D.M.T.	32 °F @ 125 PSIG.
ASME SECTION VIII	DIV. 1, 2015
X-RAY:	RT-NO
GALLONS:	793 WT. 1627 LBS.
SERIAL NO.	
N.B.	
INSIDE:	UNPAINTED
OUTSIDE:	PRIMER
LEG-ZONE	4-15 KM.
BY:	E.S.
SCALE:	3/4"=12"
REV.	1-4-16
DATE:	4-1-05
BB-793-L	
HANSON STANDARD	
VERT. BLADDER TANK	
SURFACE AREA =	137.3 SQ. FT.
ROY E. HANSON JR. MFG. LOS ANGELES, CA 90021	

NOTE: 1) HYDRO @ 163 PSIG. MIN.
 2) FOR NON CORROSIVE SERVICE-BLADDER TANK.