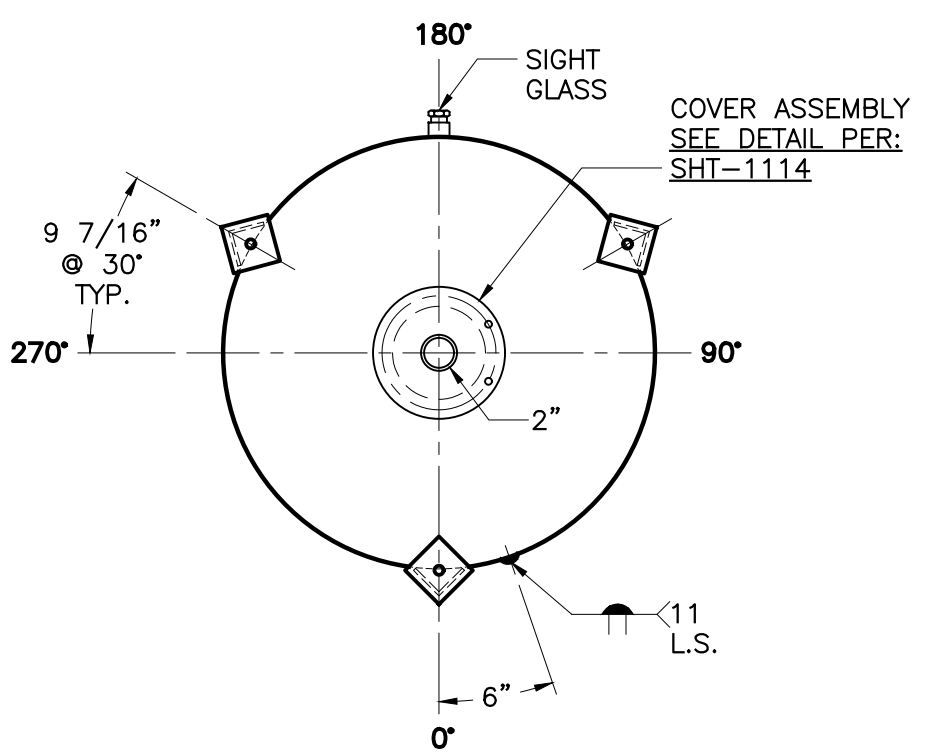
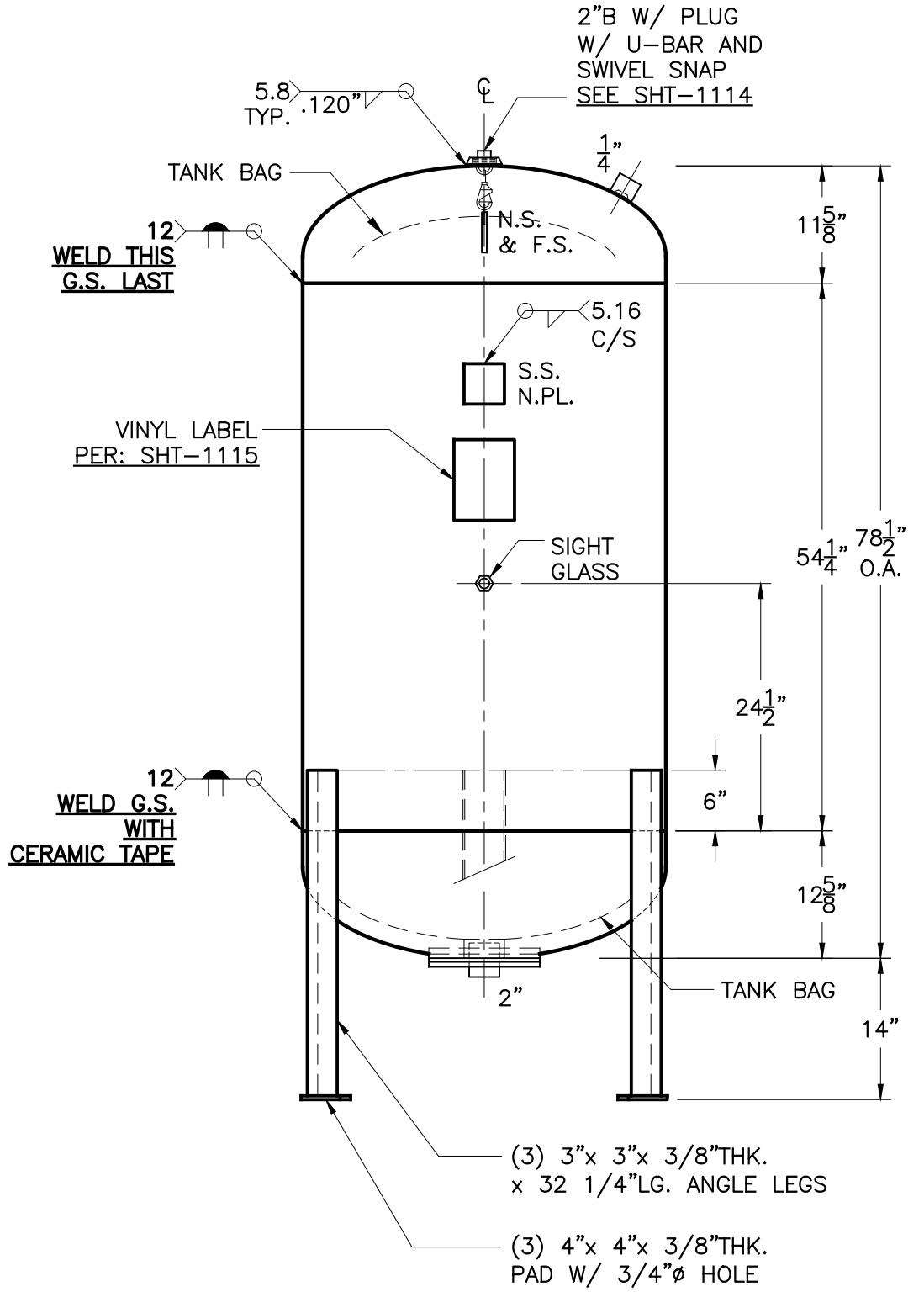


**COVER ASSEMBLY DTL.**



SHELL / HEADS	
TOP-.182" SA-455	2:1 S.E.
JOGGLE	
BTM-.182" SA-455	2:1 S.E.
TRIM	
.165" SA-414-G	
M.A.W.P.	125 PSIG. @ 240 °F
M.D.M.T.	32 °F @ 125 PSIG.
ASME SECTION	VIII DIV. 1, 2015
X-RAY:	RT-NO
GALLONS:	317 WT. 636 LBS.
SERIAL NO.	
N.B.	
INSIDE:	UNPAINTED
OUTSIDE:	PRIMER
LEG-ZONE	4-15 KM.
BY:	E.S.
SCALE:	3/4"=12"
FOR:	HANSON STANDARD
VERT. BLADDER TANK	
SURFACE AREA =	67.0 SQ. FT.
REV.	1-5-16
DATE:	4-1-05
BB-317-L	
BY:	ROY E. HANSON JR. MFG.
LOS ANGELES, CA	90021

NOTE: 1) HYDRO @ 163 PSIG. MIN.  
2) INSPECTION OPENING, UG 46(f)(6).