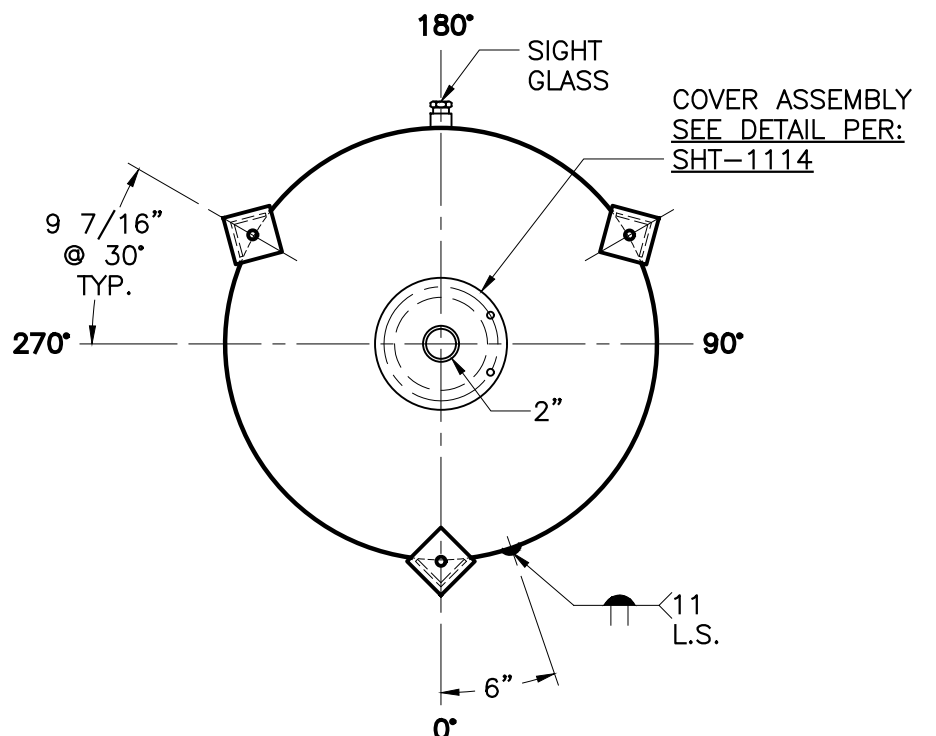
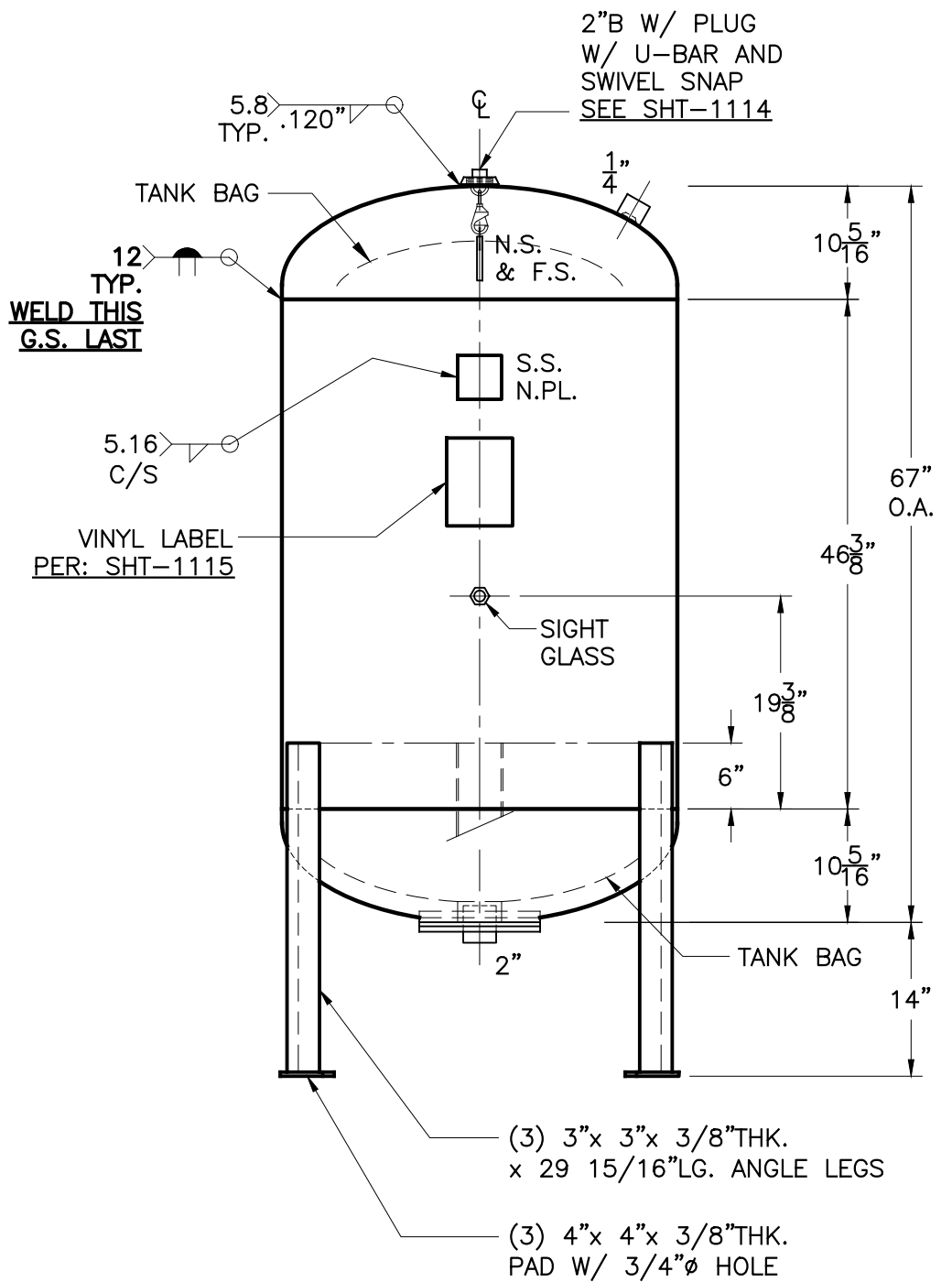


COVER ASSEMBLY DTL.



SHELL / HEADS		NOTE: 1) HYDRO @ 163 PSIG. MIN. 2) INSPECTION OPENING, UG 46(f)(6).	
TRIM	.189" SA-414-G	2:1 S.E.	
M.A.W.P.	125 PSIG.	@ 240 °F	
M.D.M.T.	32 °F	@ 125 PSIG.	
ASME SECTION	VIII	DIV. 1, 2017	
X-RAY:	RT-NO		
GALLONS:	264	WT. 565 LBS.	
SERIAL NO.			
N.B.			
INSIDE: UNPAINTED		FOR: HANSON STANDARD	
OUTSIDE: PRIMER		VERT. BLADDER TANK	
LEG-ZONE 4-15 KM.		SURFACE AREA = 58.0 SQ. FT.	
BY: E.S.		SCALE: 3/4" = 12"	
ROY E. HANSON JR. MFG.		REV: 3-23-17	
LOS ANGELES, CA 90021		DATE: 4-1-05	