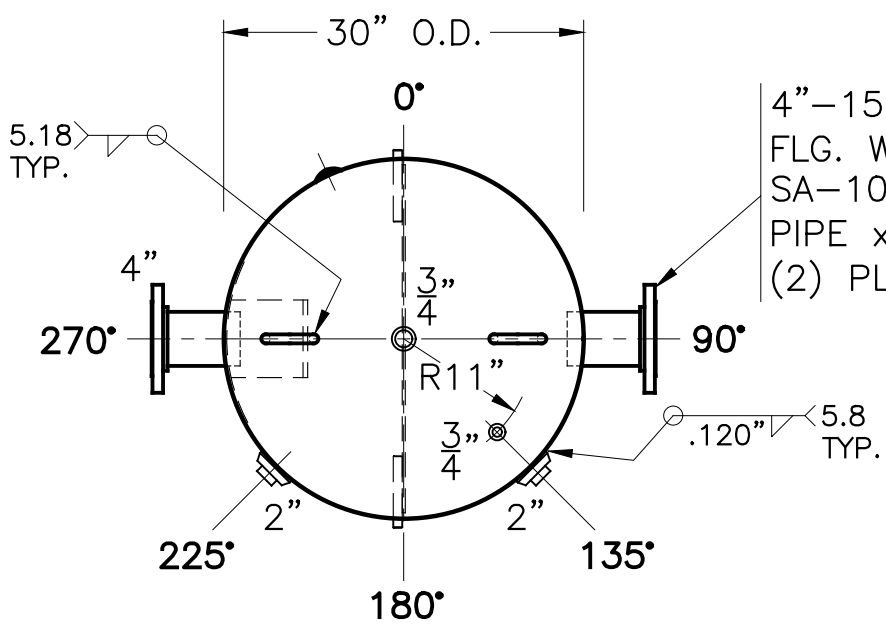


4"-150# R.F.S.O.  
FLG. W/ SCH. 40  
SA-106-B  
PIPE x 7 1/16"LG.  
(2) PLC'S.



3/4" B FOR BRASS AIR VENT  
HONEYWELL BRAUKMANN  
#EA79A1004  
(EXTRA COST)

5" HEIGHT  
OF AIR VENT

3/4"-3000#  
FULL CPLG.

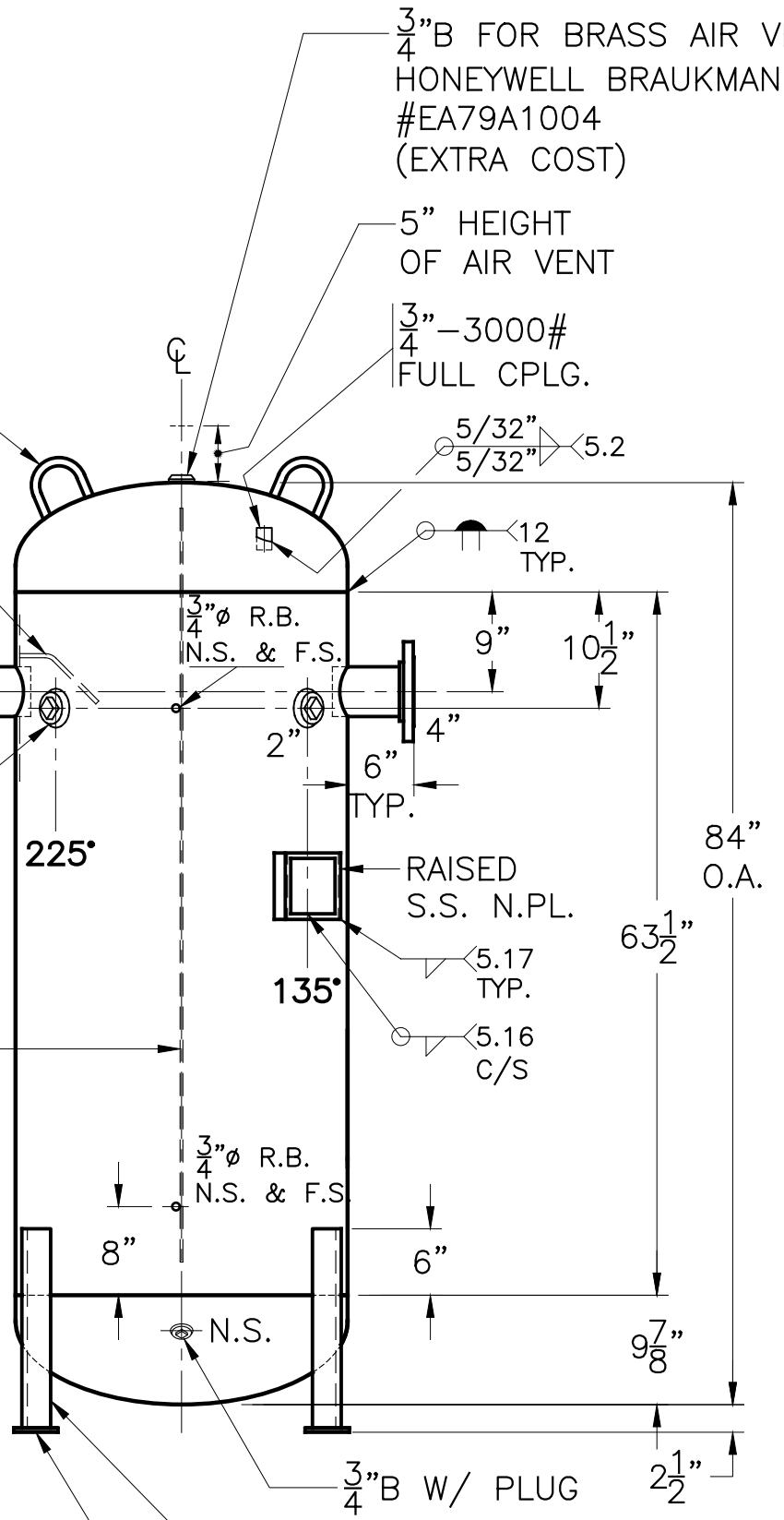
3/4"Ø SOLAR  
L.LUG  
(2) PLC'S.

STD. BAFFLE  
4 1/2"x 7"LG.  
POINTING DOWN

4"  
LABEL "INLET"

2"R W/ C.I. PLUG  
INSP. OPENING  
(2) PLC'S.

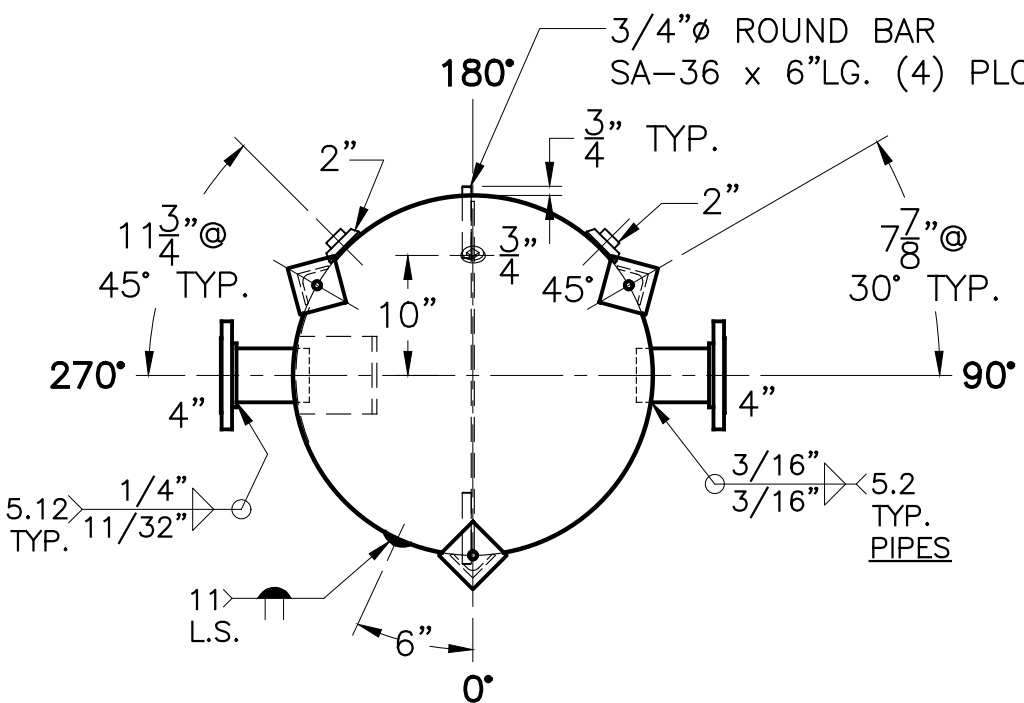
.136"THK. BAFFLE  
PER: WN-556-B-1A



(3) 3"x 3"x 3/16"THK.  
x 18"LG. ANGLE LEGS

(3) 4"x 4"x 3/8"THK.  
PAD W/ 7/8"Ø HOLE

3/4"Ø ROUND BAR  
SA-36 x 6"LG. (4) PLC'S.



NOTE. 1) WELD 3/4"Ø ROUND BARS TO SHELL AFTER HEADS ARE IN PLACE  
2) HYDRO @ 195 PSIG. MIN.

|                               |                                |              |
|-------------------------------|--------------------------------|--------------|
| SHELL / HEADS                 | M.A.W.P. 150 PSIG. @ 212 °F    |              |
| JOGGLE                        | M.D.M.T. 30 °F @ 150 PSIG.     |              |
|                               | ASME SECTION VIII DIV. 1, 2017 |              |
|                               | X-RAY: RT-NO                   | WT. 563 LBS. |
|                               | GALLONS: 240                   | SERIAL NO.   |
|                               | N.B.                           |              |
| FOR: HANSON BUFFER TANK       |                                |              |
| SURFACE AREA = 58.7 SQ. FT.   |                                |              |
| INSIDE: UNPAINTED             |                                |              |
| OUTSIDE: PRIME                |                                |              |
| LEG-ZONE 4-15 KM.             |                                |              |
| BY: E.S.                      |                                |              |
| SCALE: 3/4"=12"               |                                |              |
| <b>ROY E. HANSON JR. MFG.</b> |                                |              |
| LOS ANGELES, CA 90021         |                                |              |

**B-240-30**

REV. 1-4-19  
DATE: 6-15-12