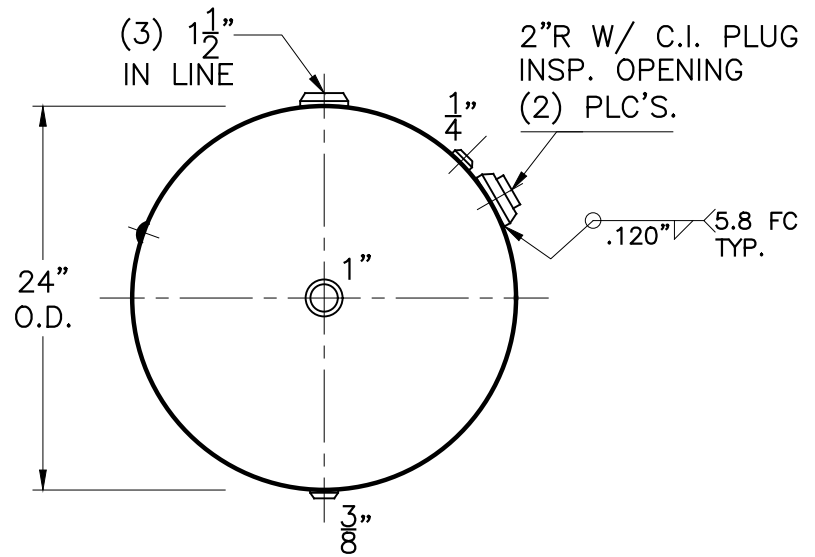
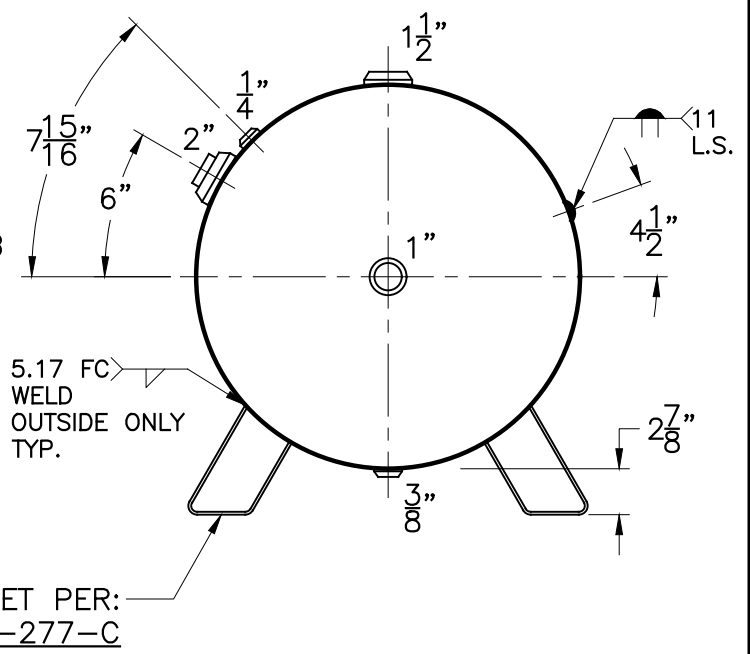
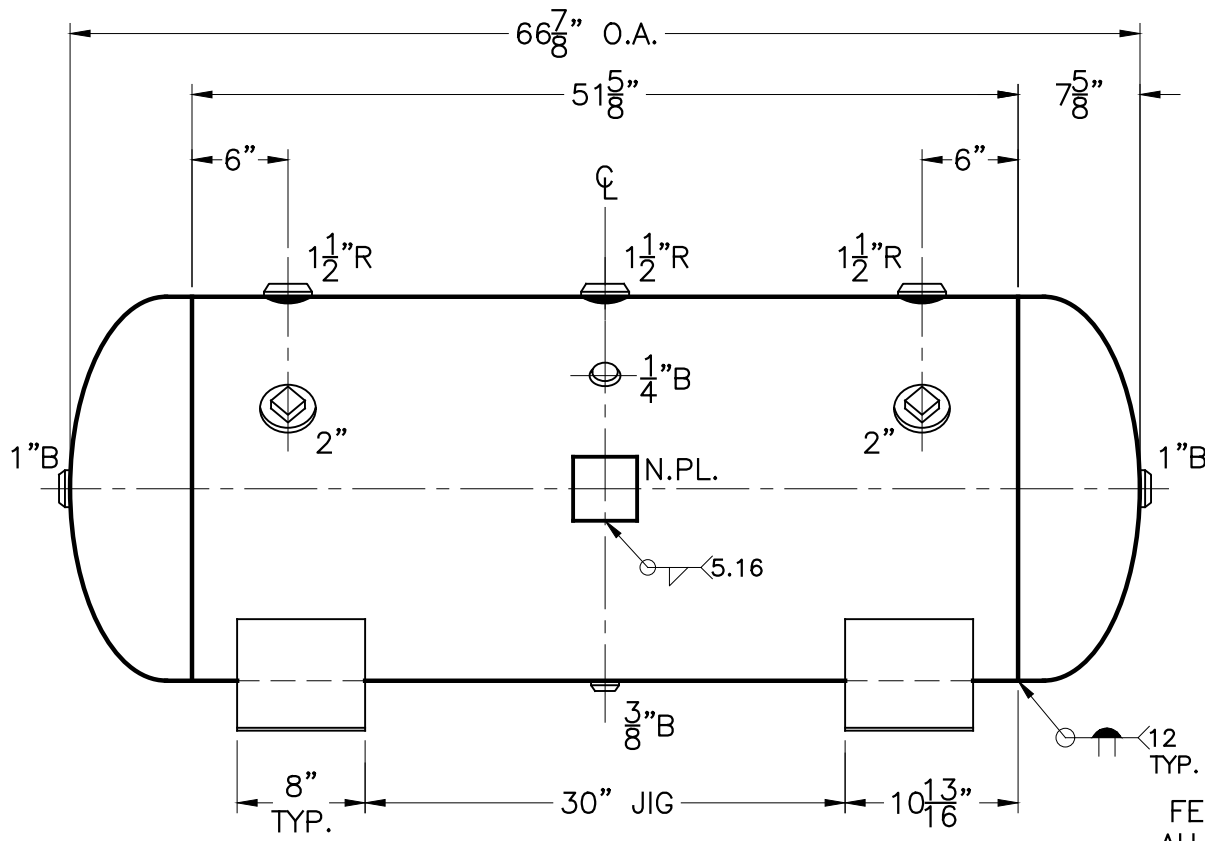


JOB No. \_\_\_\_\_  
 DATE: \_\_\_\_\_



**VIEW W/O SUPPORTS**

NOTE: 1) HYDRO @ 390 PSIG. MIN.

HEADS	.218" SA-455 2:1 S.E.
	JOGGLE
SHELL	.199" SA-455
M.A.W.P. 300 PSIG. @ 400 °F	
M.D.M.T. -20 °F @ 300 PSIG.	
ASME. SECTION VIII DIV. 1, 2017	
X-RAY: RT-4 SPOT L.S. ONLY	
GALLONS: 120	WT. 373 LBS.
SERIAL NO.	
N.B.	

<b>HD-120-F</b>	REV. 6-12-19
	DATE: 5-27-88
FOR: HANSON STANDARD	
HORIZ. AIR TANK	
SURFACE AREA = 36.8 SQ. FT.	
INSIDE: UNPAINTED	
OUTSIDE: PRIME	
BY: J.A.	SCALE: 1"=12"
<b>ROY E. HANSON JR. MFG.</b>	
LOS ANGELES, CA 90021	