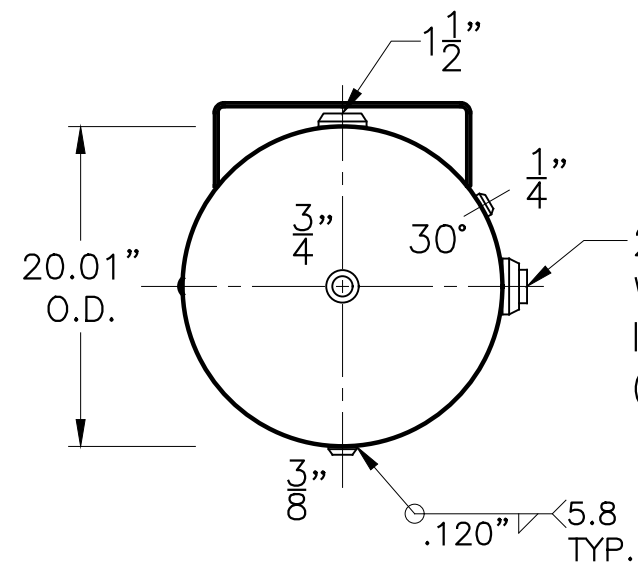
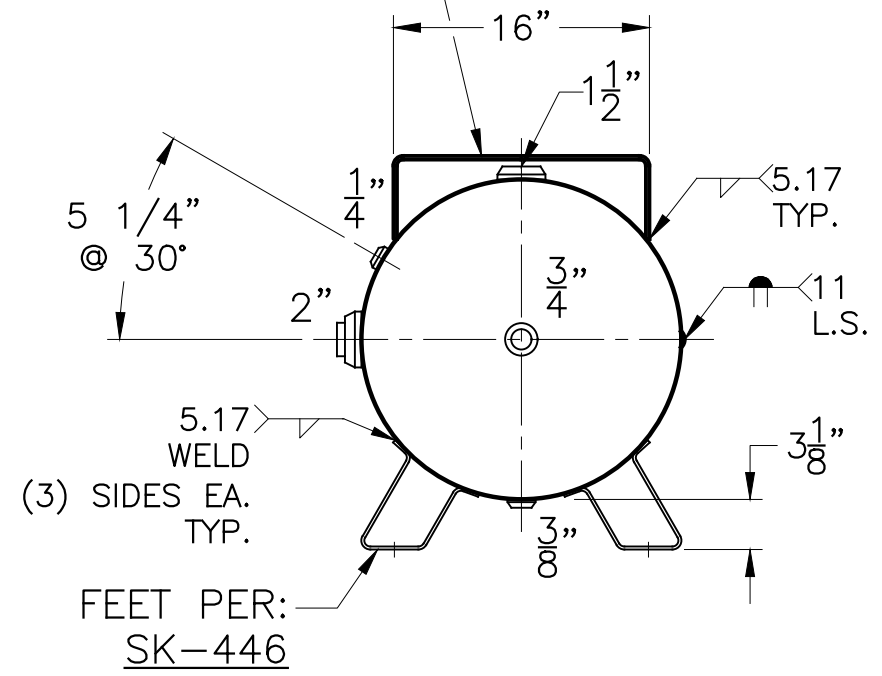
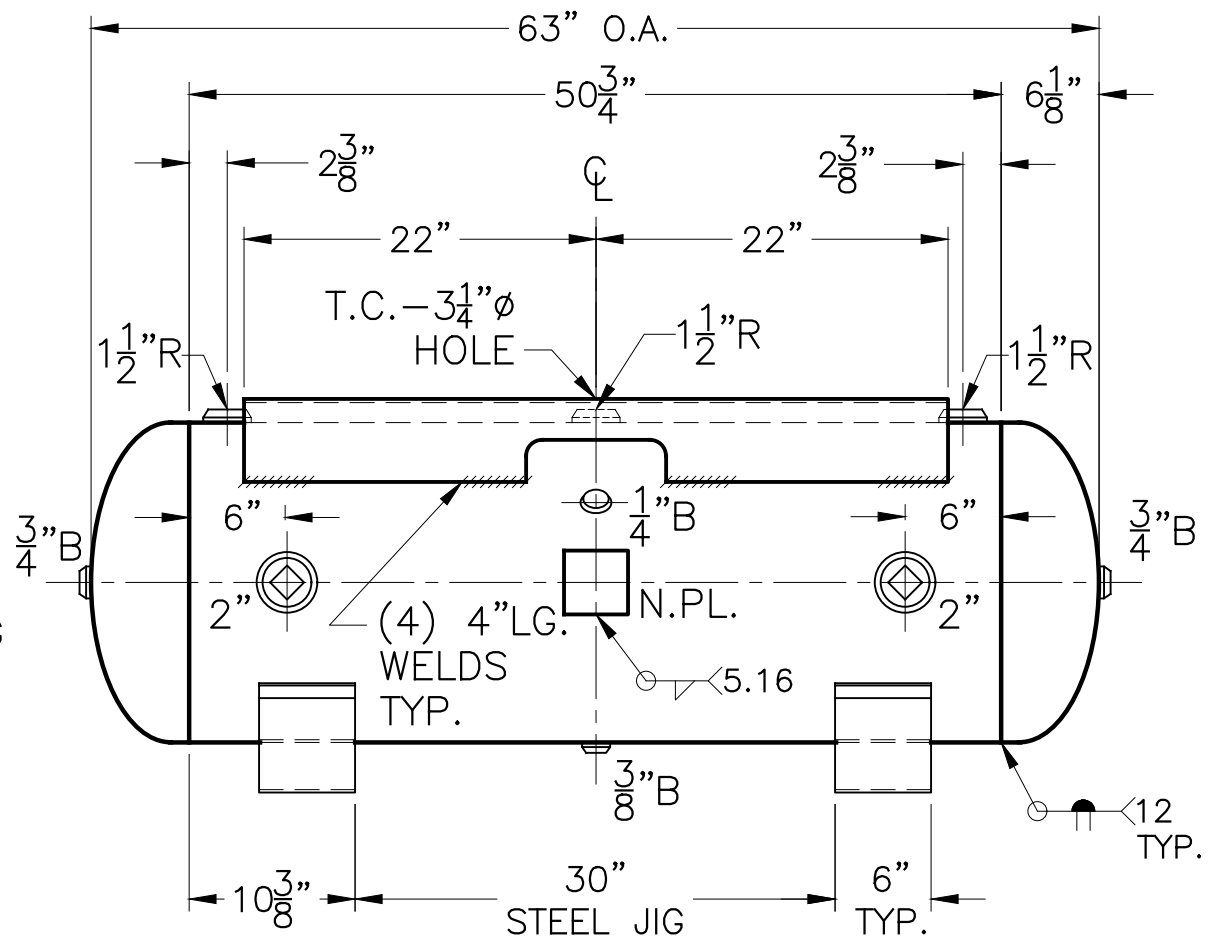


JOB No. _____
 DATE: _____

PLATFORM PER:
 SK-641 REV.4



VIEW W/O SUPPORTS



NOTE: 1) HYDRO @ 325 PSIG. MIN.

| | | |
|------------------------------|-------------------------------|--------------|
| HEADS | .165" SA-414-G 2:1 S.E. | |
| | JOGGLE (.136" MIN. REQ'D.) | |
| SHELL | .166" SA-414-G | |
| | | |
| M.A.W.P. | 250 PSIG. | @ 400 °F |
| M.D.M.T. | -20 °F | @ 250 PSIG. |
| ASME. SECTION VIII DIV. 2017 | | |
| X-RAY: | RT-NO | |
| GALLONS: | 80 | WT. 308 LBS. |
| SERIAL NO. | | |
| N.B. | | |

| | |
|-------------------------------|---------------|
| HC-80-FP | REV. 6-10-19 |
| | DATE: 5-17-88 |
| FOR: HANSON STANDARD | |
| HORIZ. AIR TANK | |
| SURFACE AREA = 29.2 SQ. FT. | |
| INSIDE: UNPAINTED | |
| OUTSIDE: PRIME | |
| CAD-"B" UNDER "STD"-SERIES | |
| BY: J.A. | SCALE: 1"=12" |
| ROY E. HANSON JR. MFG. | |
| LOS ANGELES, CA 90021 | |