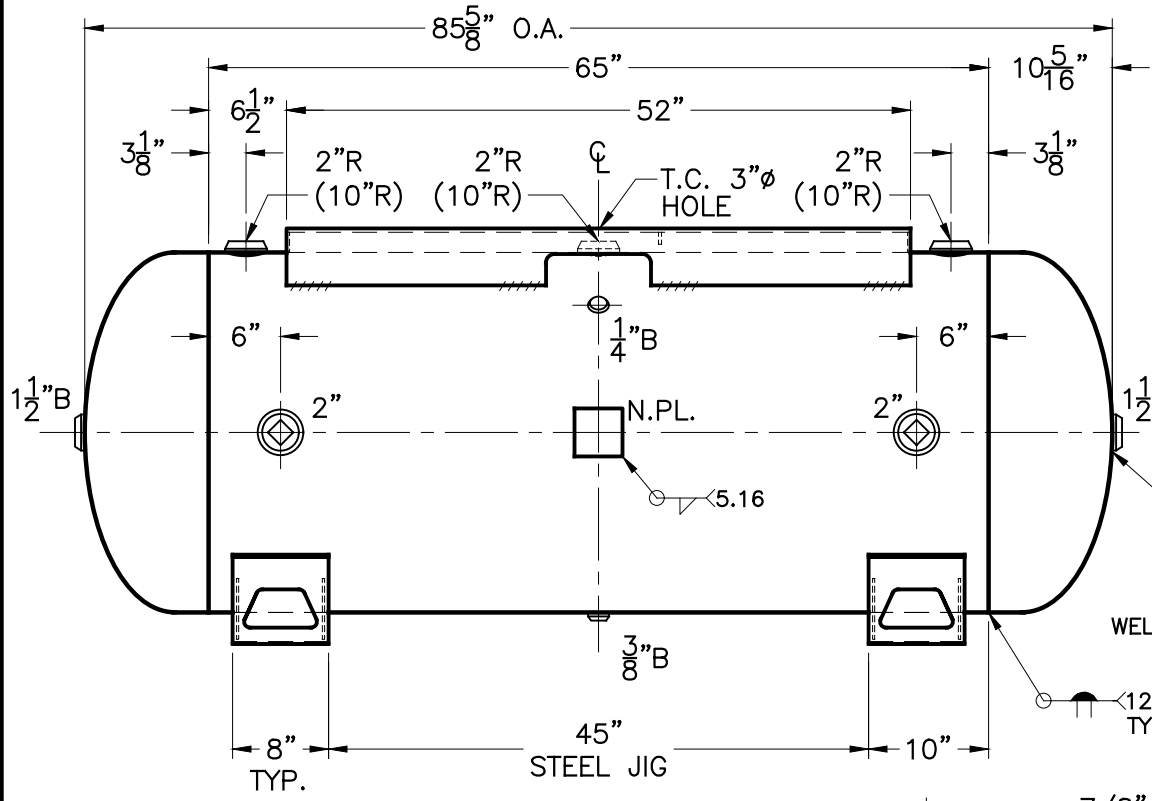
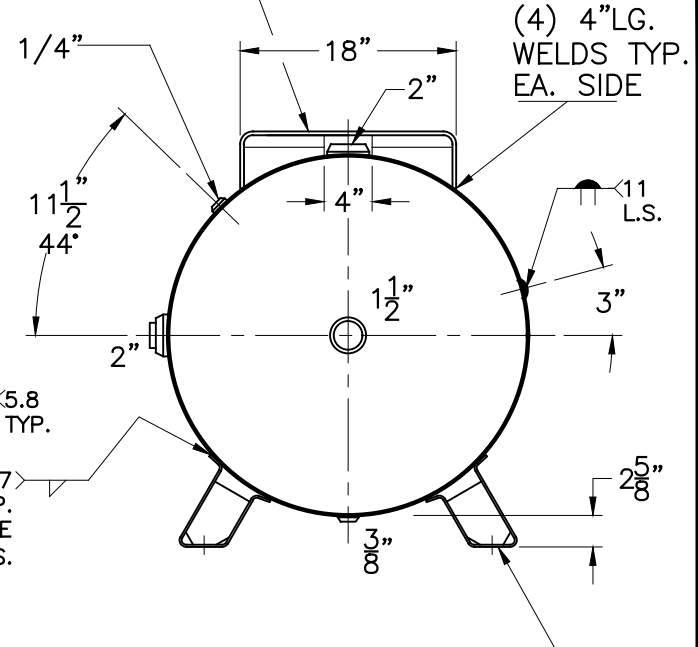


JOB No. \_\_\_\_\_  
DATE: \_\_\_\_\_



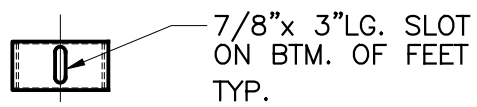
PLATFORM PER: SK-644D



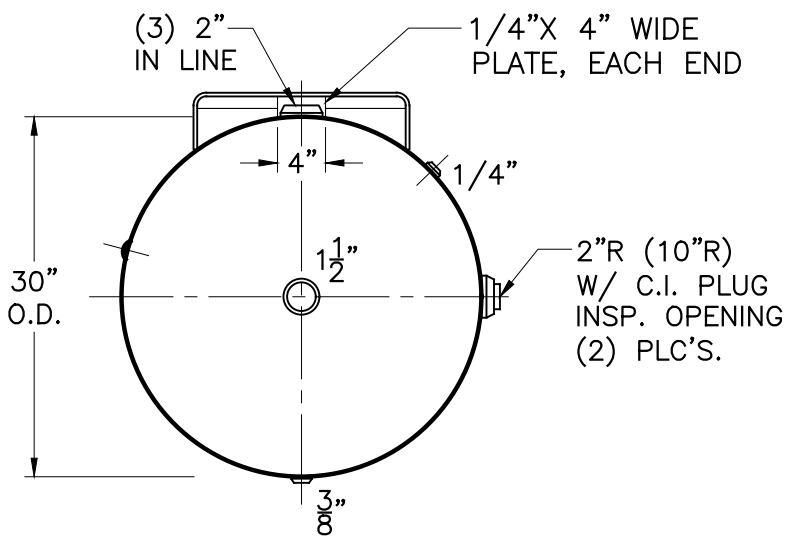
(4) 4" LG. WELDS TYP. EA. SIDE

5.17 TYP. WELD EA. SIDE (3) PLC'S.

FEET PER: SK-5073  
FEET ARE BOXED



NOTE: 1) HYDRO @ 260 PSIG. MIN.



**VIEW W/O SUPPORTS**

SHELL / HEADS	.166" SA-414-G 2:1 S.E.	H-240-BP	REV: 6-12-19
	JOGGLE		DATE: 5-1-79
SHELL / HEADS	.218" SA-455	FOR: HANSON STANDARD	
		HORIZ. AIR TANK	
M.A.W.P. 200 PSIG. @ 400 °F		SURFACE AREA = 59.7 SQ. FT.	
M.D.M.T. -20 °F @ 200 PSIG.		INSIDE: UNPAINTED	
ASME. SECTION VIII DIV. 1, 2017		OUTSIDE: PRIME	
X-RAY: RT-NO			
GALLONS: 240	WT. 677 LBS.	BY: J.A.	SCALE: 3/4"=12"
SERIAL NO.		<b>ROY E. HANSON JR. MFG.</b>	
N.B.		LOS ANGELES, CA 90021	