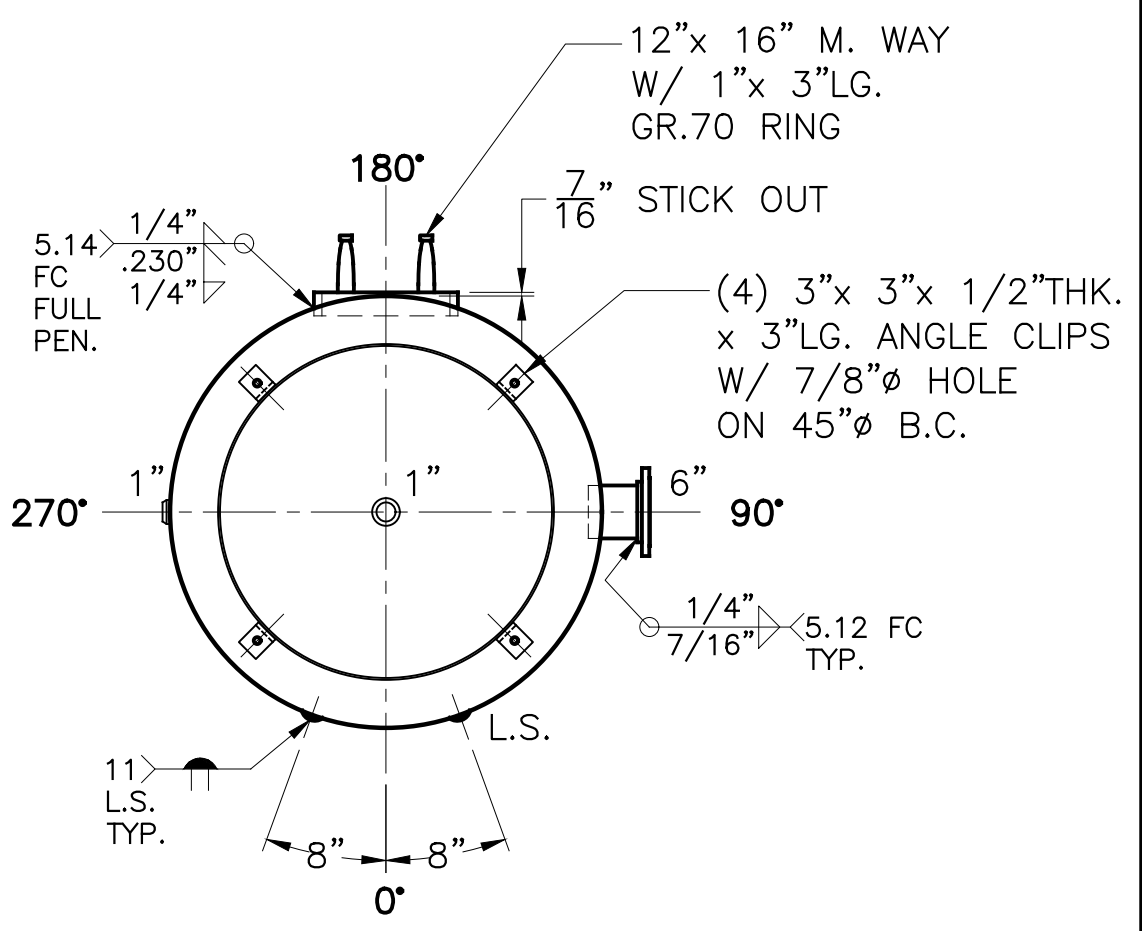
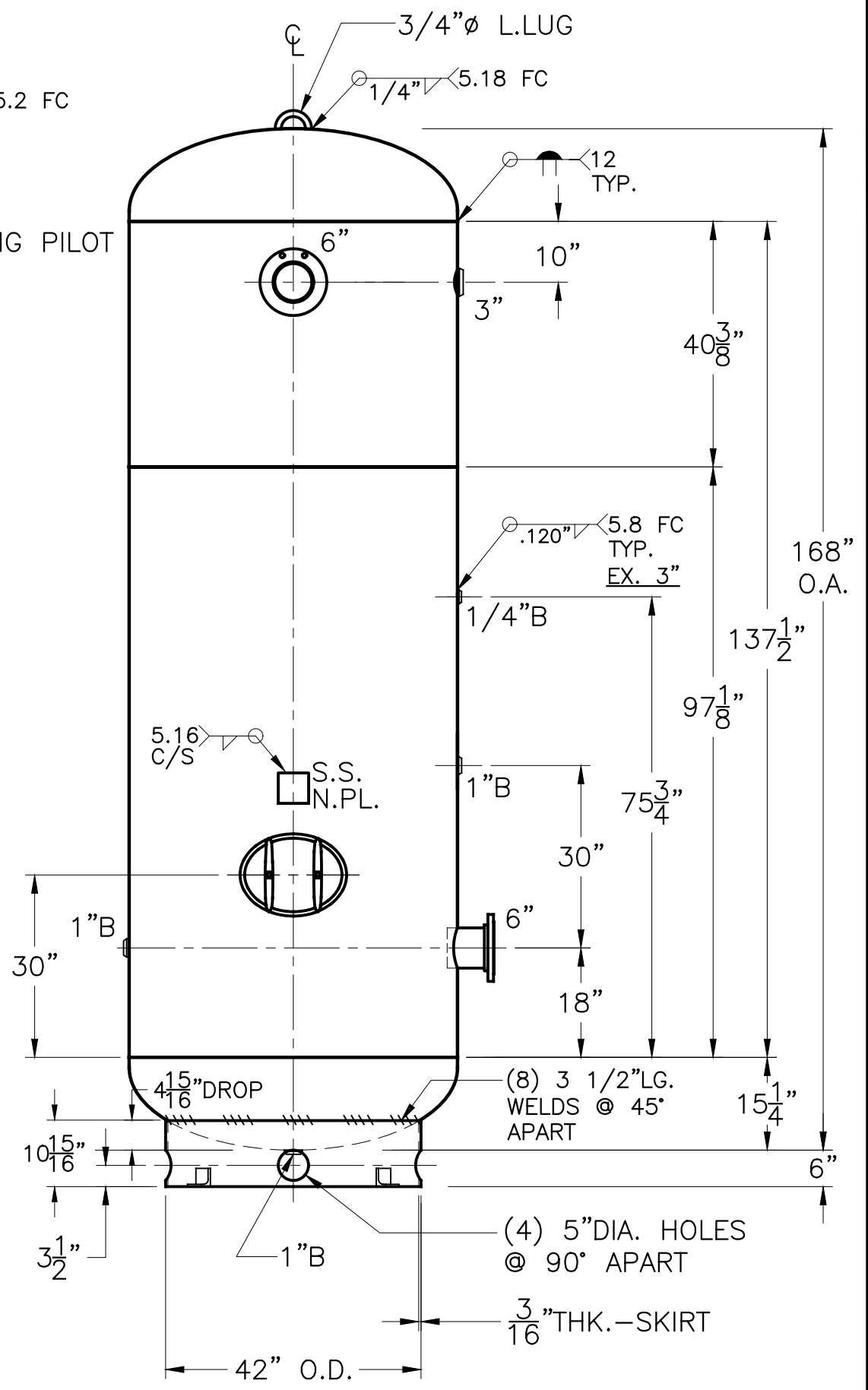


6"-150# R.F.S.O. FLG.
W/SCH. 80, SMLS.
SA-106-C PIPE x 7 5/8"LG.
(2) PLC'S.



NOTE: 1) DRAIN FOR HORIZONTAL MOUNT ADDED AFTER SERIAL #423,136
2) HYDRO @ 195 PSIG. MIN.

SHELL / HEADS		.375" SA-516-70 2:1 S.E.	
TRIM		.230" SA-455	
M.A.W.P.	150 PSIG. @ 400 °F		
M.D.M.T.	-20 °F @ 150 PSIG.		
ASME SECTION VIII DIV. 1, 2017			
X-RAY:	RT-4 SPOT L.S. ONLY		
GALLONS:	1550 WT. 2740 LBS.		
SERIAL NO.			
N.B.			
FOR: HANSON STANDARD		54-VP-1550-R	
VERT. AIR TANK		REV. 1-22-19	
UW-21(b)		DATE: 8-12-92	
INSIDE: UNPAINTED			
OUTSIDE: PRIME			
CAD "B" SIZE UNDER "STD"-SERIES			
BY: J.G.	SCALE: 1/2"=12"		
ROY E. HANSON JR. MFG.			
LOS ANGELES, CA 90021			