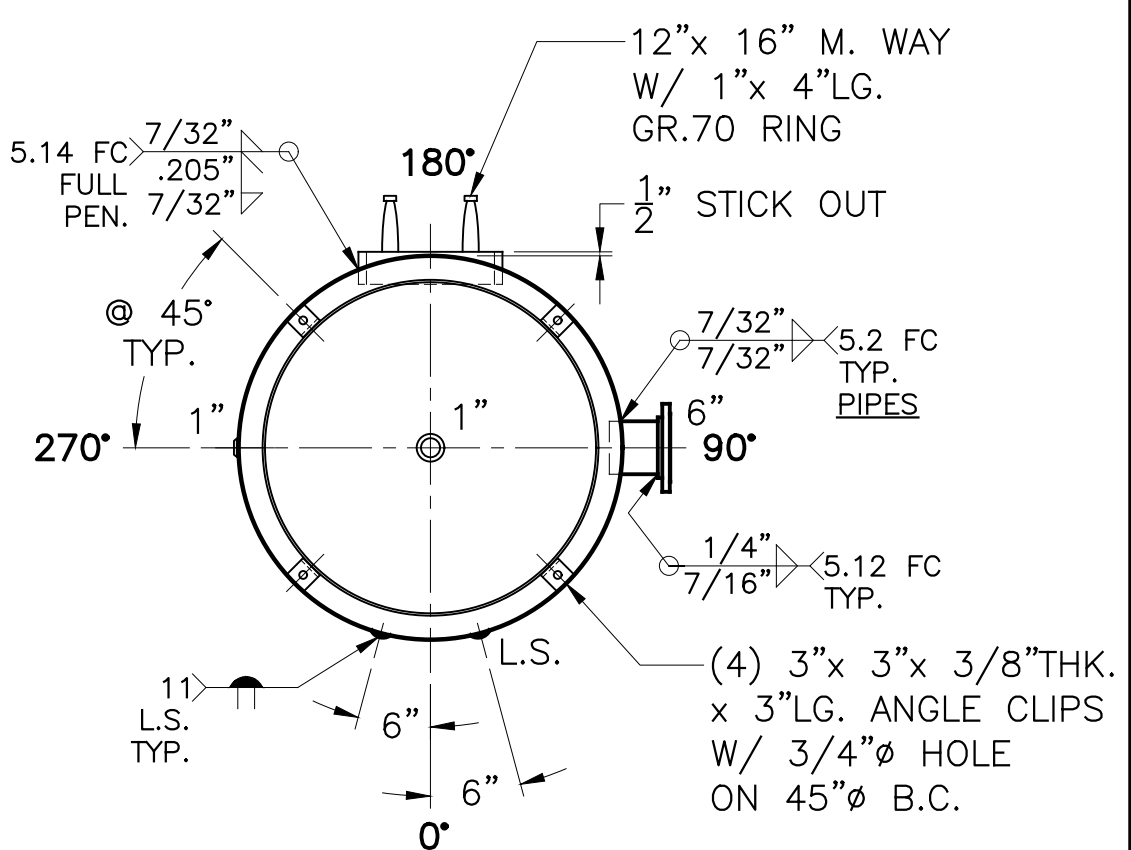
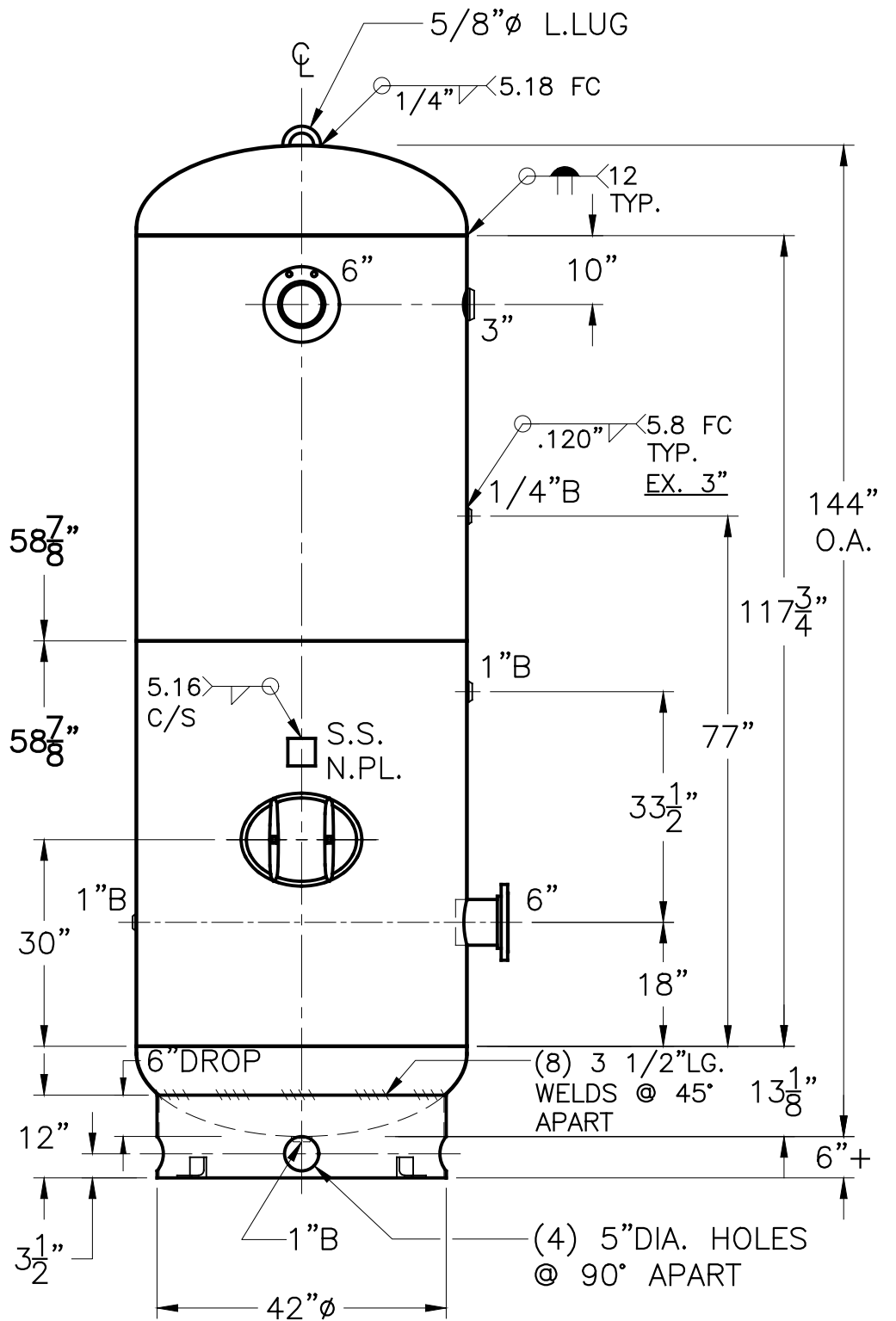


6"-150# R.F.S.O.  
 FLG. W/ SCH. 80  
 SA-106-B  
 PIPE x 7 5/8"LG.  
 (2) PLC'S.



NOTE: 1) DRAIN FOR HORIZONTAL MOUNT ADDED AFTER SERIAL #423,136  
 2) IMPACT TESTING NOT REQUIRED. UG-20(f)  
 3) HYDRO @ 195 PSIG. MIN.

SHELL / HEADS		.250" SA-455 2:1 S.E.	
JOGGLE			
M.A.W.P.	150 PSIG. @ 400 °F		
M.D.M.T.	-20 °F @ 150 PSIG.		
ASME SECTION VIII	DIV. 1, 2017		
X-RAY:	RT-4 SPOT L.S. ONLY		
GALLONS:	1060 WT. 1732 LBS.		
SERIAL NO.			
N.B.			
48-VP-1060-R		REV.	6-14-19
FOR: HANSON STANDARD		DATE:	3-6-12
VERT. AIR TANK			
SURFACE AREA = 160.4 SQ. FT.			
UW-21(b)			
INSIDE: UNPAINTED			
OUTSIDE: SHOP PRIME			
CAD "B" SIZE UNDER "STD"-SERIES			
BY: J.A.	SCALE: 1/2"=12"		
<b>ROY E. HANSON JR. MFG.</b>			
LOS ANGELES, CA 90021			