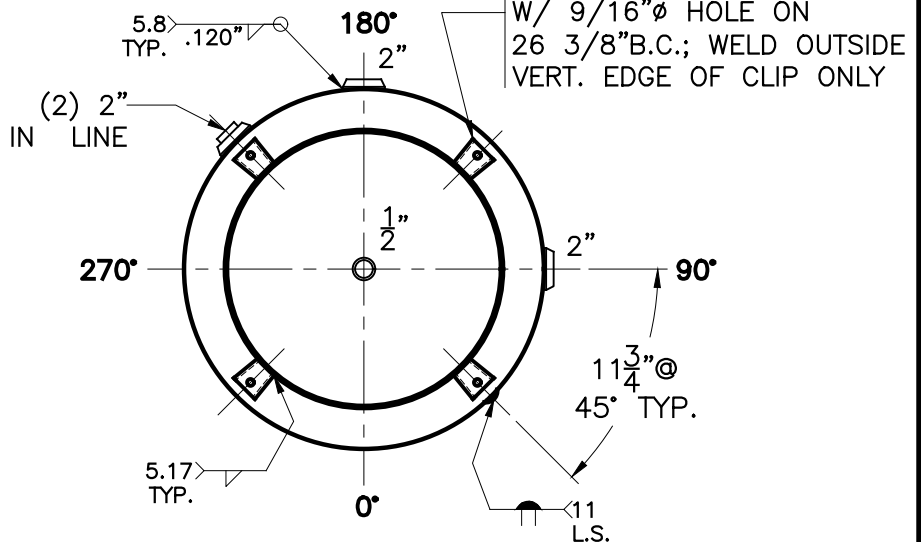
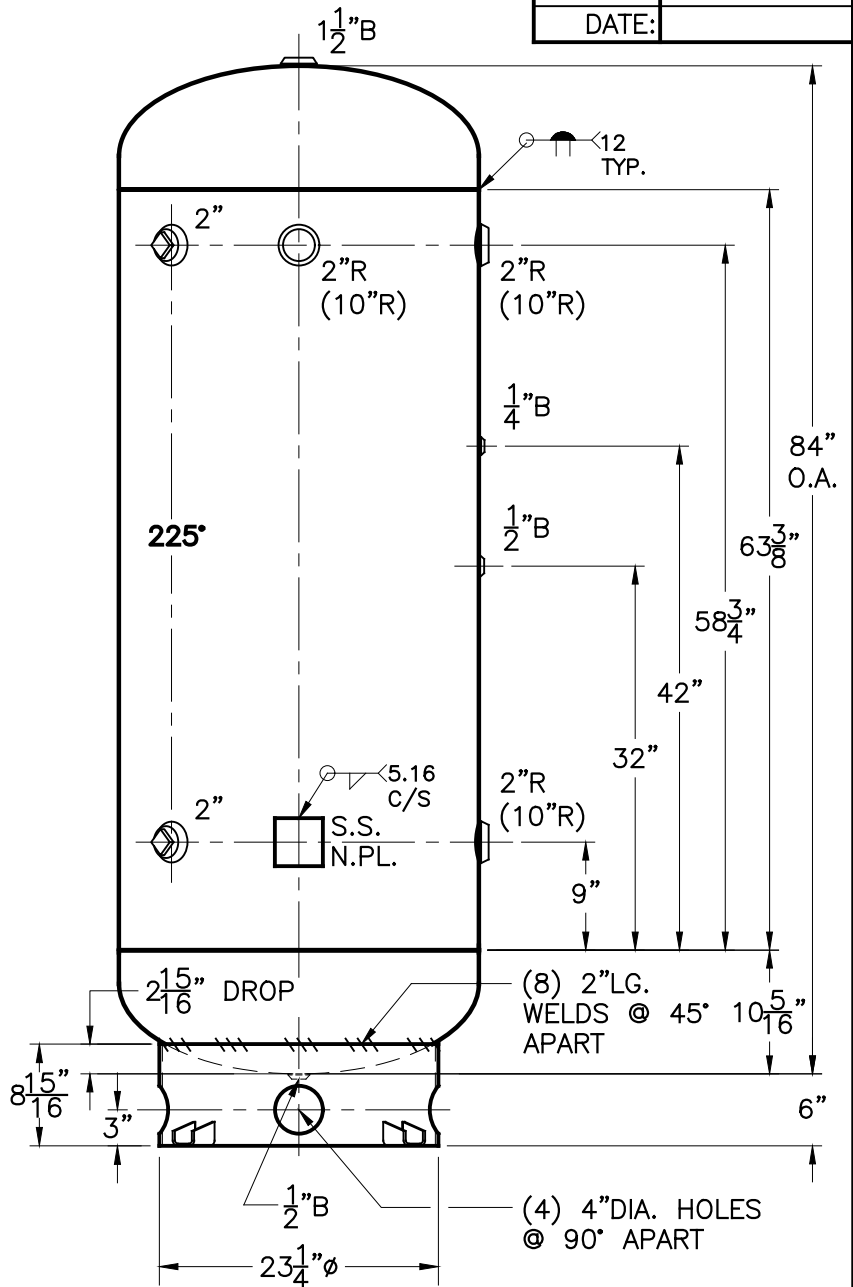
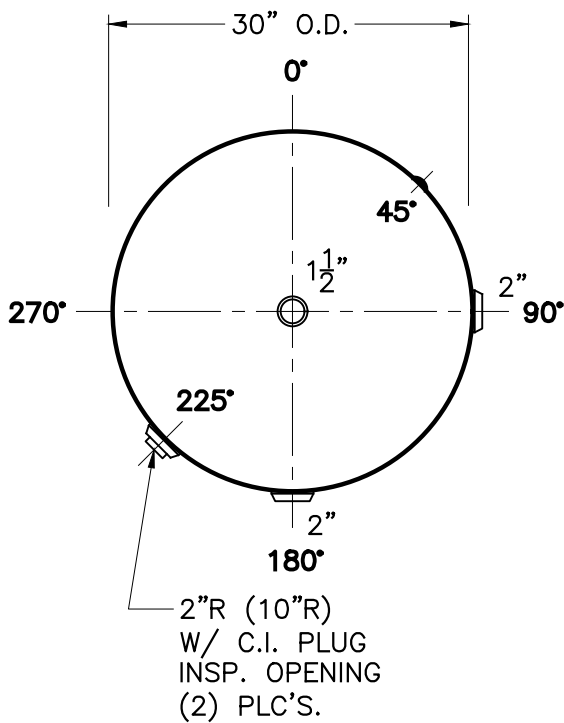


JOB No. _____
 DATE: _____



NOTE: 1) HYDRO @ 260 PSIG. MIN.

SHELL / HEADS		M.A.W.P. 200 PSIG. @ 400 °F	
.166" SA-414-G 2:1 S.E.		M.D.M.T. -20 °F @ 200 PSIG.	
(.164" MIN.) JOGGLE		ASME SECTION VIII DIV. 1, 2017	
.166" SA-414-G		X-RAY: RT-4 SPOT L.S. ONLY	
		GALLONS: 240	
		WT. 436 LBS.	
		SERIAL NO.	
		N.B.	
30-VA-240-R		REV. 6-7-19	
FOR: HANSON STANDARD		DATE: 12-2-86	
VERT. AIR TANK			
INSIDE: UNPAINTED			
OUTSIDE: PRIME			
BY: J.A.		SCALE: 3/4"=12"	
ROY E. HANSON JR. MFG.		LOS ANGELES, CA 90021	