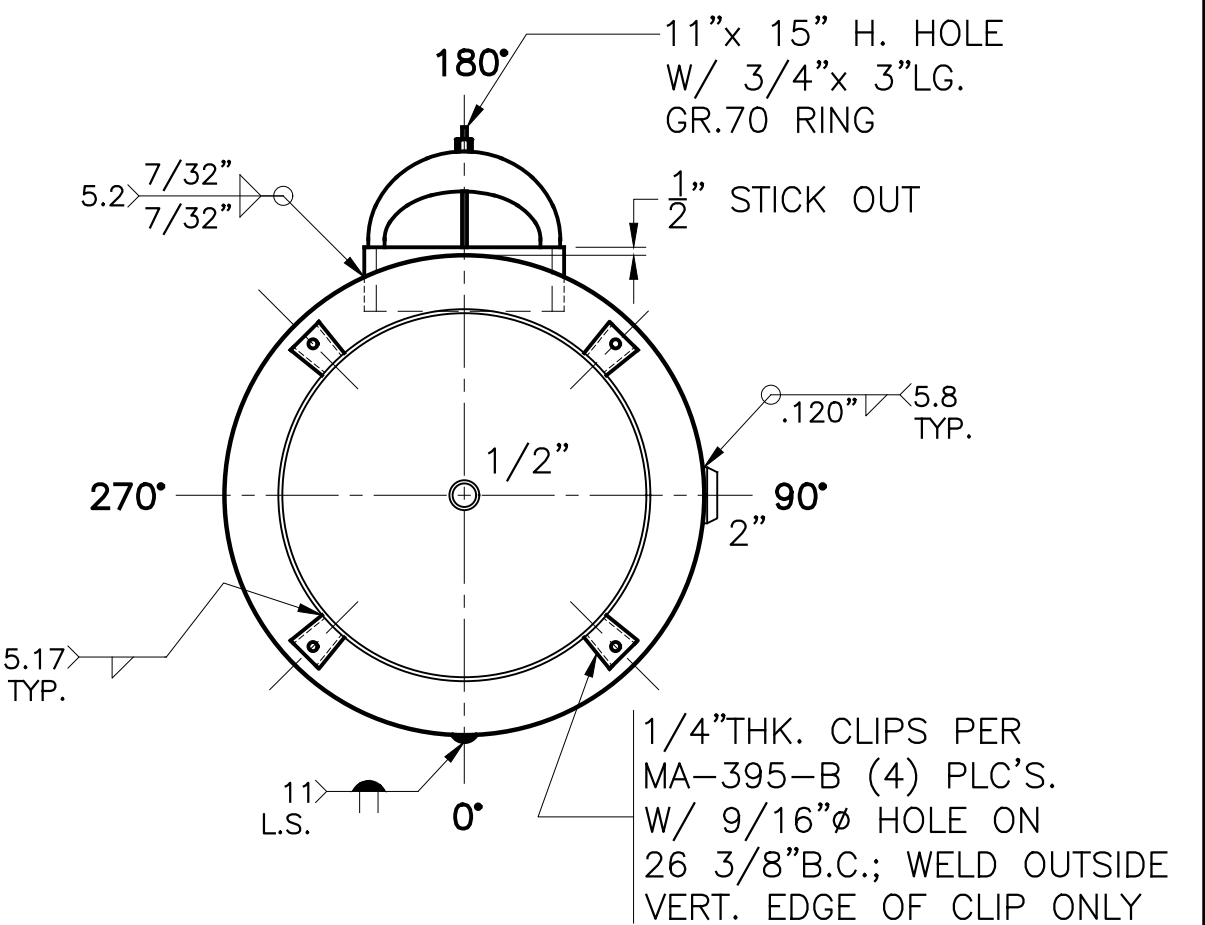
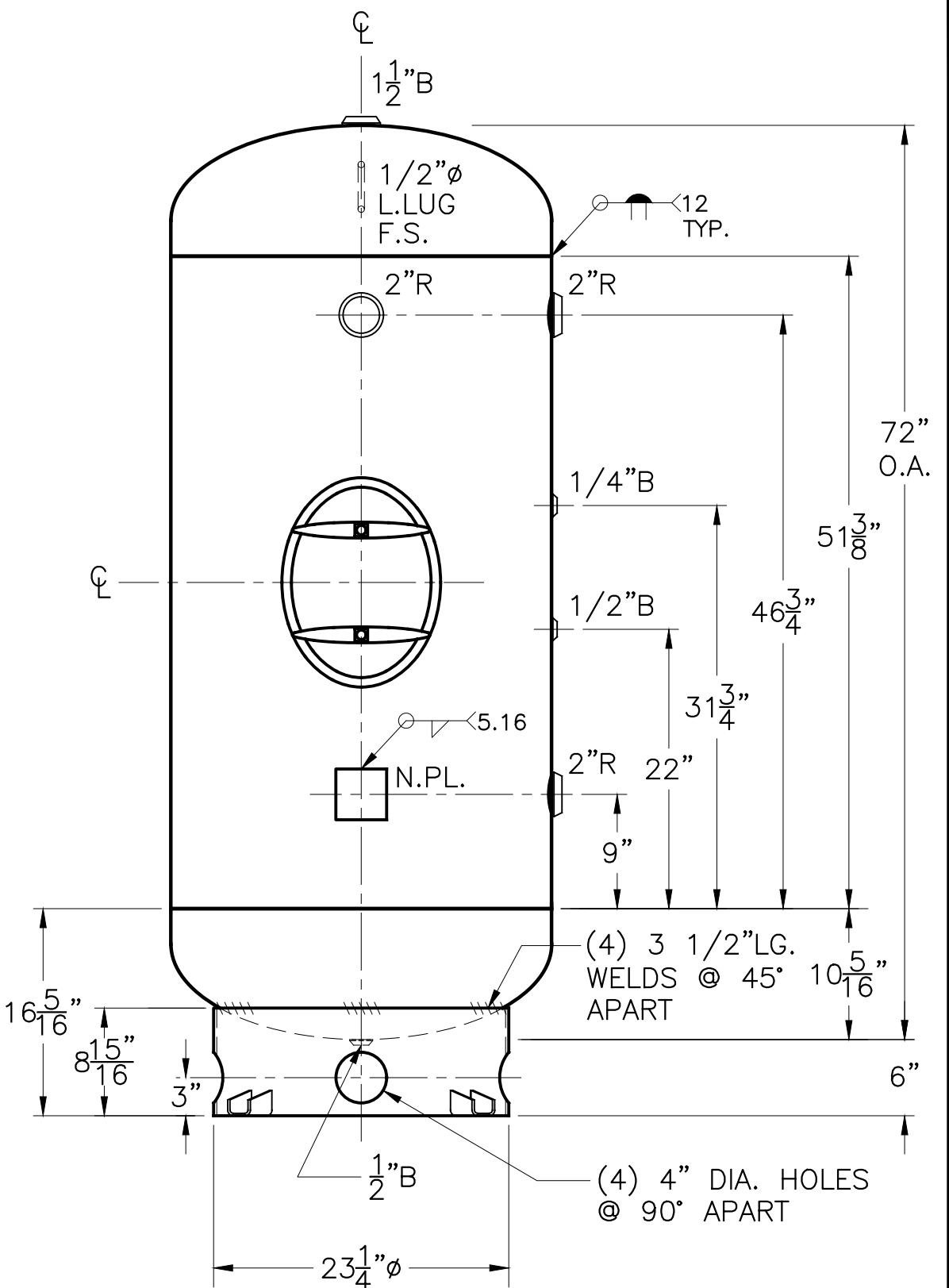


- NOTES:
- 1) HYDRO @ 260 PSIG. MIN.
 - 2) CRN SASKATCHEWAN
 - 3) IMPACT TESTED? NO UG-20(f)
 - 4) WELD SIZE NPT UW-16(f)(5)
 - 5) MANWAY RING EDGES MUST BE ROUNDED PER: UG-76(c)



SHELL / HEADS		.166" SA-414-G 2:1 S.E. (.164" MIN.) JOGGLED-GREEN STRIPE	
M.A.W.P.	200 PSIG. @ 200 °F	.205" SA-455	
M.D.M.T.	-20 °F @ 200 PSIG.		
ASME. SECTION VIII DIV. 1, 2017			
X-RAY:	RT-NO		
GALLONS:	200	WT.	488 LBS.
SERIAL NO.			
N.B.			
FOR: HANSON STANDARD		0-30-VA-200-R	
VERT. AIR TANK		REV. 6-6-19	
SURFACE AREA = 50.2 SQ. FT.		DATE: 5-23-94	
INSIDE: EPOXY LINED			
OUTSIDE: PRIME			
CAD-"B" SIZE UNDER "0"-SERIES			
BY: J.A.			
SCALE: 1"=12"			
ROY E. HANSON JR. MFG.			
LOS ANGELES, CA 90021			