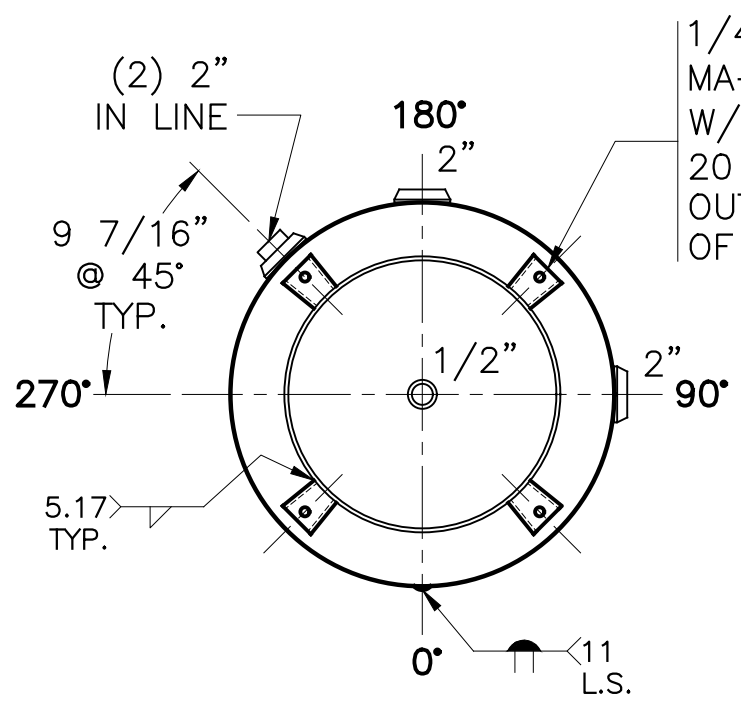
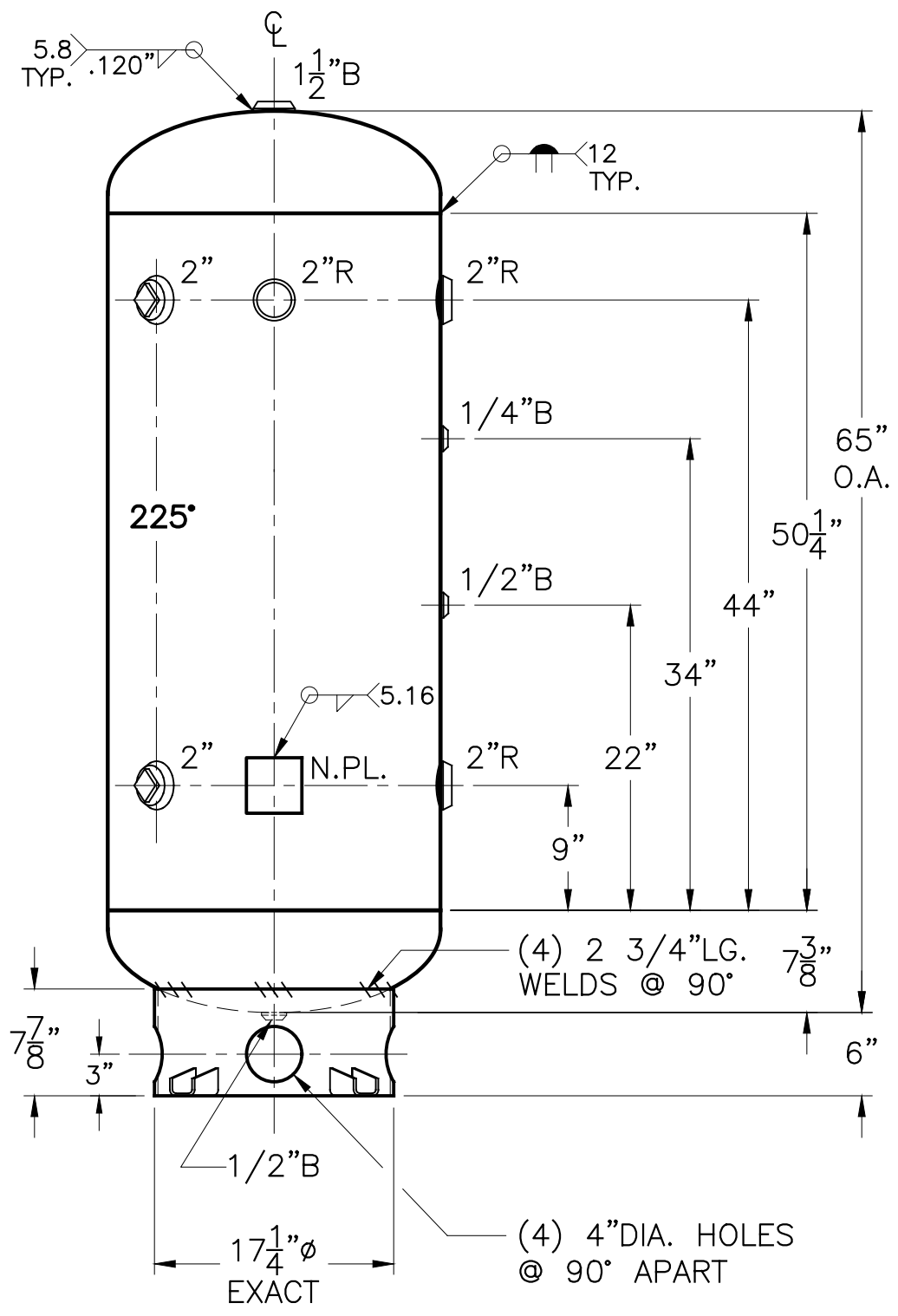
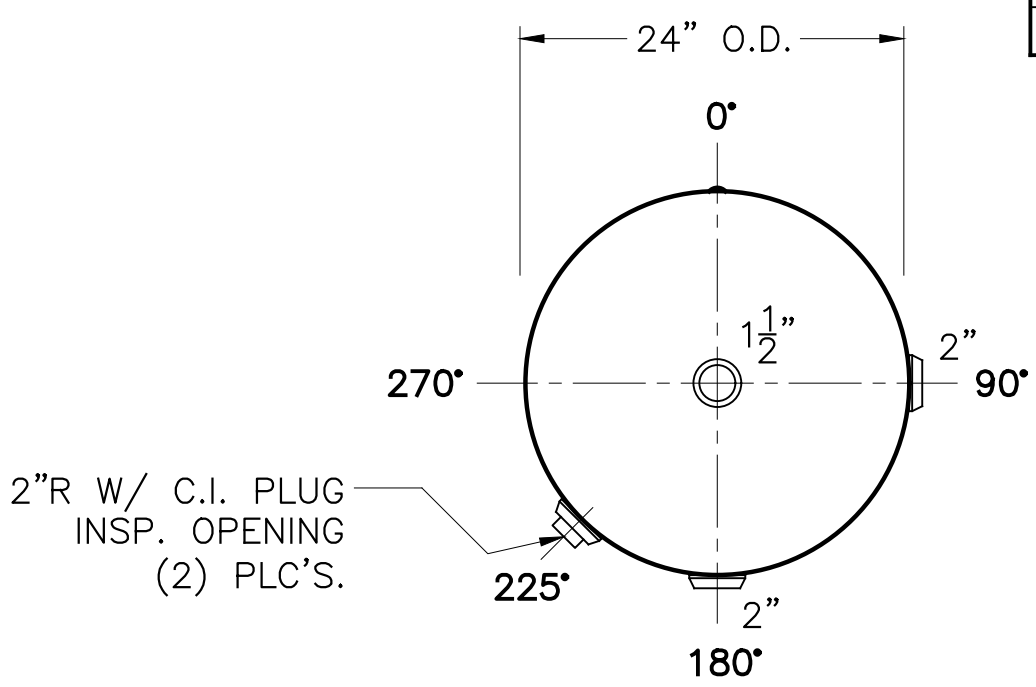


JOB No. _____
 DATE: _____



1/4" THK. CLIPS PER MA-395-B (4) PLC'S. W/ 9/16" Ø HOLE ON 20 3/8" B.C.; WELD OUTSIDE VERT. EDGE OF CLIP ONLY

NOTE: 1) HYDRO @ 325 PSIG. MIN.

SHELL / HEADS		.164" SA-414-G 2:1 S.E. JOGGLED (.164" MIN.)	
M.A.W.P.	250 PSIG. @ 400 °F	24-VC-120-R	
M.D.M.T.	-20 °F @ 250 PSIG.	FOR: HANSON STANDARD	
ASME SECTION VIII	DIV. 1, 2017	VERT. AIR TANK	
X-RAY	RT-4 SPOT L.S. ONLY	INSIDE: UNPAINTED	
GALLONS	120	OUTSIDE: PRIME	
WT.	302 LBS.	CAD "B" SIZE UNDER STD. SERIES	
SERIAL NO.		BY: J.A.	
N.B.		SCALE: 1"=12"	
		ROY E. HANSON JR. MFG.	
		LOS ANGELES, CA 90021	
		REV. 6-7-19	DATE: 7-24-89