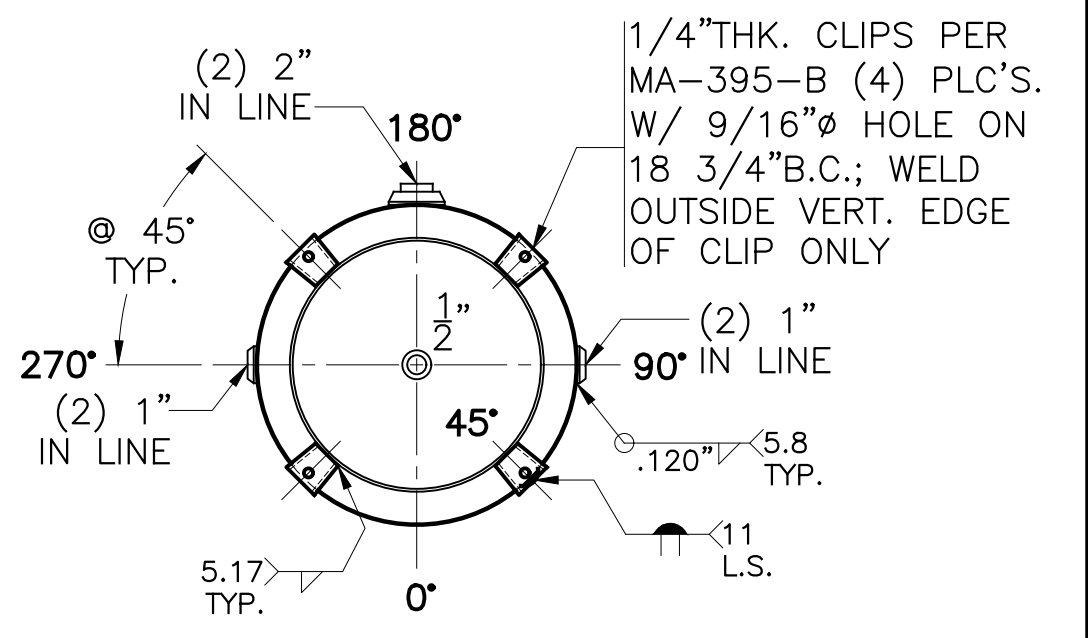
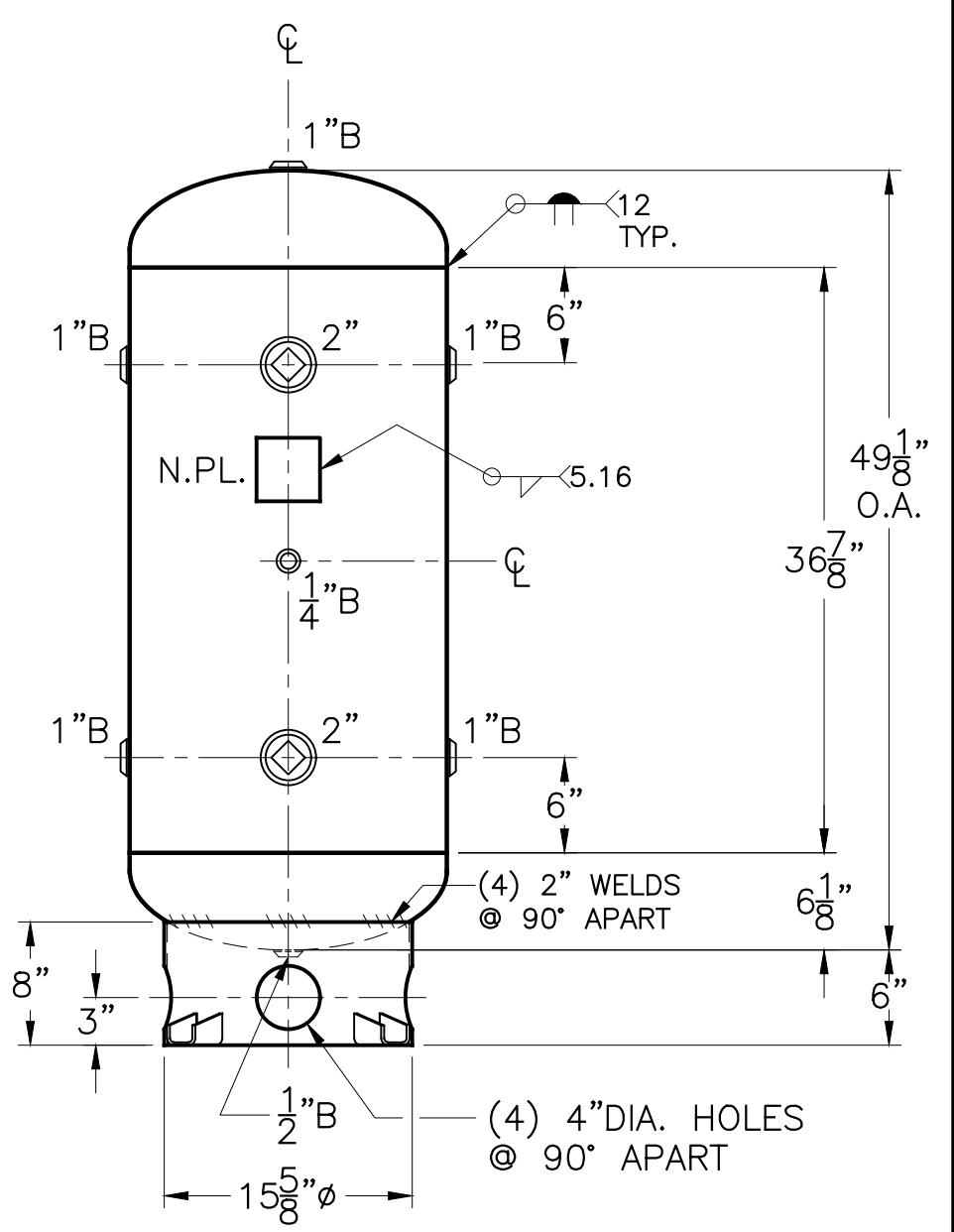
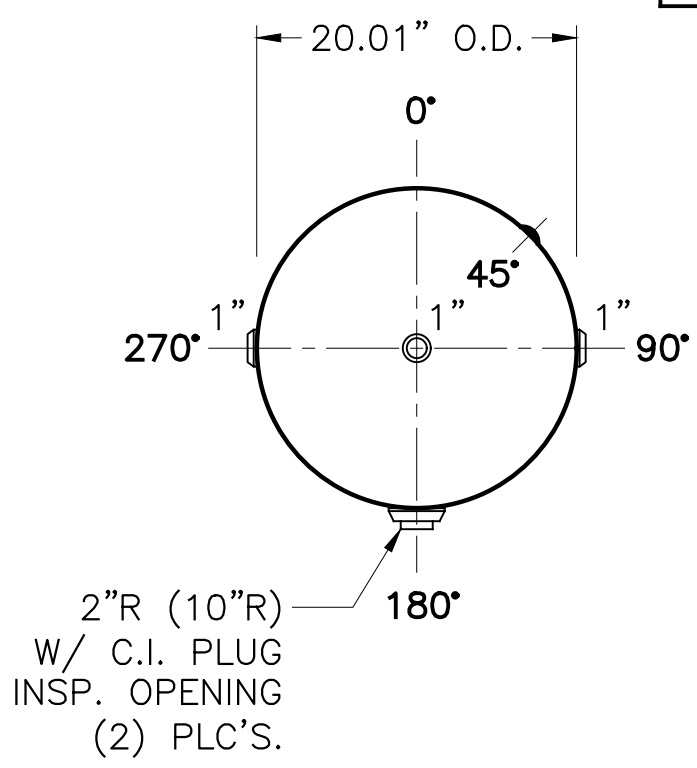


JOB No. _____
 DATE: _____



NOTE: 1) HYDRO @ 325 PSIG. MIN.

SHELL / HEADS		.165" SA-414-G 2:1 S.E.	
JOGGLE			
M.A.W.P.	250 PSIG. @	400	° F
M.D.M.T.	-20 ° F @	250	PSIG.
ASME. SECTION VIII DIV. 1, 2017			
X-RAY:	RT-NO		
GALLONS:	60	WT.	176 LBS.
SERIAL NO.			
N.B.			
20-VC-60-R		REV. 6-7-19	
FOR: HANSON STANDARD		DATE: 3-2-82	
VERT. AIR TANK			
SURFACE AREA = 23.1 SQ. FT.			
INSIDE: UNPAINTED			
OUTSIDE: PRIME			
CAD "B" SIZE UNDER "STD"-SERIES			
BY: J.A.		SCALE: 1"=12"	
ROY E. HANSON JR. MFG.			
LOS ANGELES, CA 90021			