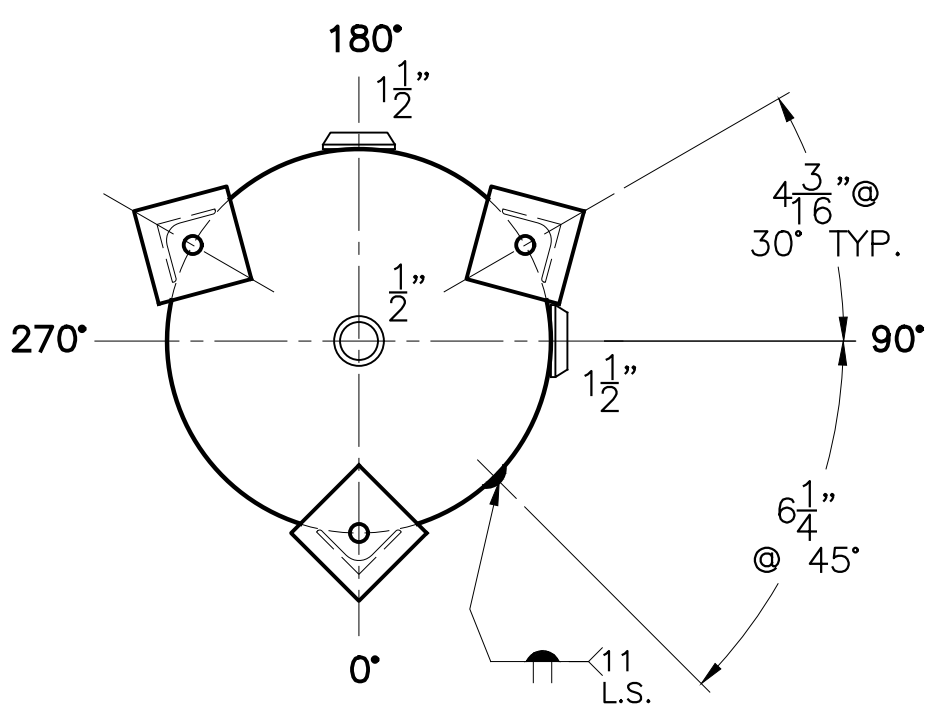


(3) 2 1/2"x 2 1/2"x 3/16"THK.
 13 7/16"LG. ANGLE LEGS

(3) 4"x 4"x 1/4"THK.
 PAD W/ 3/4"Ø HOLE



NOTE: 1) HYDRO @ 390 PSIG. MIN.

SHELL / HEADS	
JOGGLE	.149" SA-414-G 2:1 S.E.
	.165" SA-414-G
M.A.W.P.	300 PSIG. @ 400 °F
M.D.M.T.	-20 °F @ 300 PSIG.
ASME, SECTION VIII DIV. 1, 2017	
X-RAY:	RT-NO
GALLONS:	30 WT. 115 LBS.
SERIAL NO.	
N.B.	

16-VD-30-L	
REV.	6-7-19
DATE:	6-21-99
FOR: HANSON STANDARD	
VERT. AIR TANK	
SURFACE AREA = 14.7 SQ. FT.	
INSIDE: UNPAINTED	
OUTSIDE: PRIME	
CAD-"B" SIZE UNDER "STD. SERIES	
BY: J.A.	SCALE: 1/8"=1"
ROY E. HANSON JR. MFG.	
LOS ANGELES, CA 90021	