

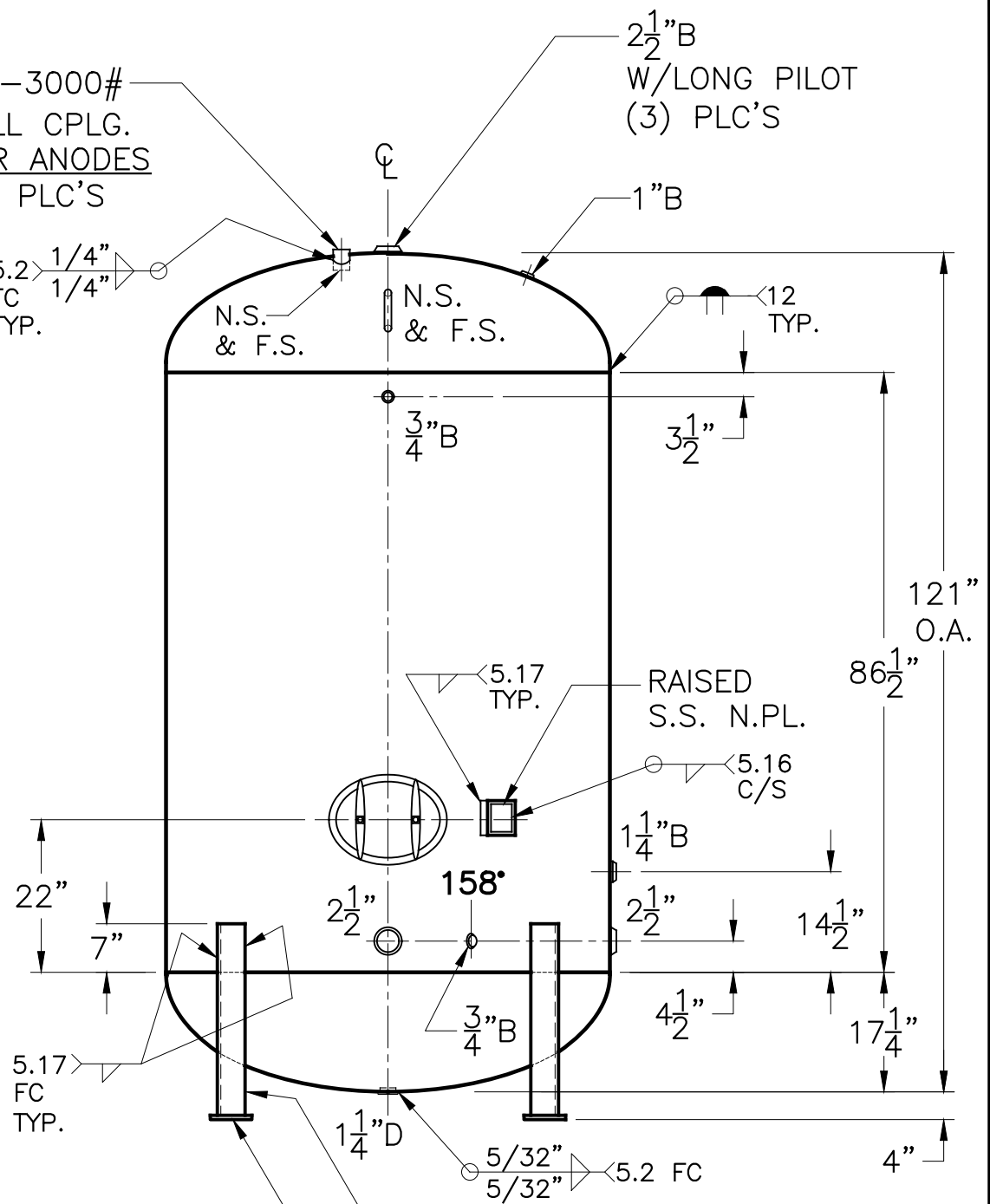
3/4"  $\phi$  SOLAR L.LUG (2) PLC'S

5.8 FC TYP. EX. 2 1/2"

1 1/4" - 3000# FULL CPLG. FOR ANODES (2) PLC'S

5.14 FC FULL PEN.

11" x 15" H.HOLE W/ 1" x 3" LG. GR.70 RING



2 1/2" B W/LONG PILOT (3) PLC'S

1" B

N.S. & F.S.

N.S. & F.S.

RAISED S.S. N.PL.

(4) 4" x 4" x 1/2" x 27 5/8" LG. ANGLE LEG

(4) 6" x 6" x 5/8" THK. PAD W/ 1"  $\phi$  HOLE

5.17 FC TYP.

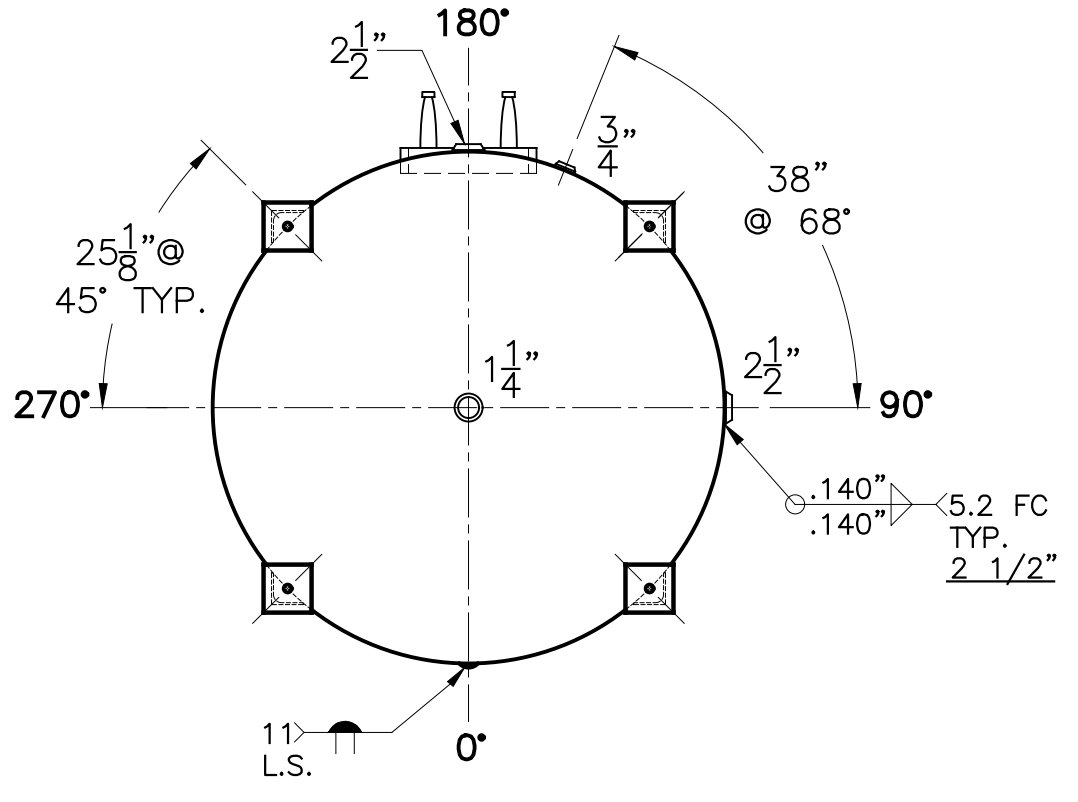
5.16 C/S

158°

3/4" B

5/32" 5/32" 5.2 FC

NOTE: 1) HYDRO @ 240 PSIG.  
2) SHIP LOOSE W/(2) 1 5/16" x 96" LG. FLEX. MAG. ANODES.  
3) 10-1-04 PROOF TEST.



5.2 FC TYP. 2 1/2"

11 L.S.

SHELL / HEADS		.252" SA-455 2:1 S.E. (.216" MIN.)	
M.A.W.P.	160 PSIG. @ 210 °F	ASME. SECTION IV	2017
X-RAY:	RT-NO / H.L.W	GALLONS:	1500
SERIAL NO.		WT.	2210 LBS.
N.B.		GS-64-1500-V	
FOR:	HANSON STANDARD	REV:	12-19-17
VERT. HOT WATER TANK		DATE:	6-14-90
SURFACE AREA = 184.3 SQ. FT.		SCALE: 1/2" = 12"	
INSIDE:	GLASS LINED (5 MIL MIN.)	BY: J.G.	
OUTSIDE:	S.BLAST AND PRIME	LEG-ZONE 4-15 KM.	
		ROY E. HANSON JR. MFG.	
		LOS ANGELES, CA 90021	