

1 1/4"-3000#  
HALF CPLG.  
(2) PLC'S.

2 1/2"-2000#  
EXTENDED CPLG.  
W/ LG. PILOT  
(3) PLC'S.

1"-3000#  
FULL CPLG.

3/4"φ SOLAR  
L. LUG  
(2) PLC'S.

1/4" / 1/4" → 5.2  
TYP. CPLGS.  
IN HEADS

5.18  
TYP.

N.S.  
& F.S.

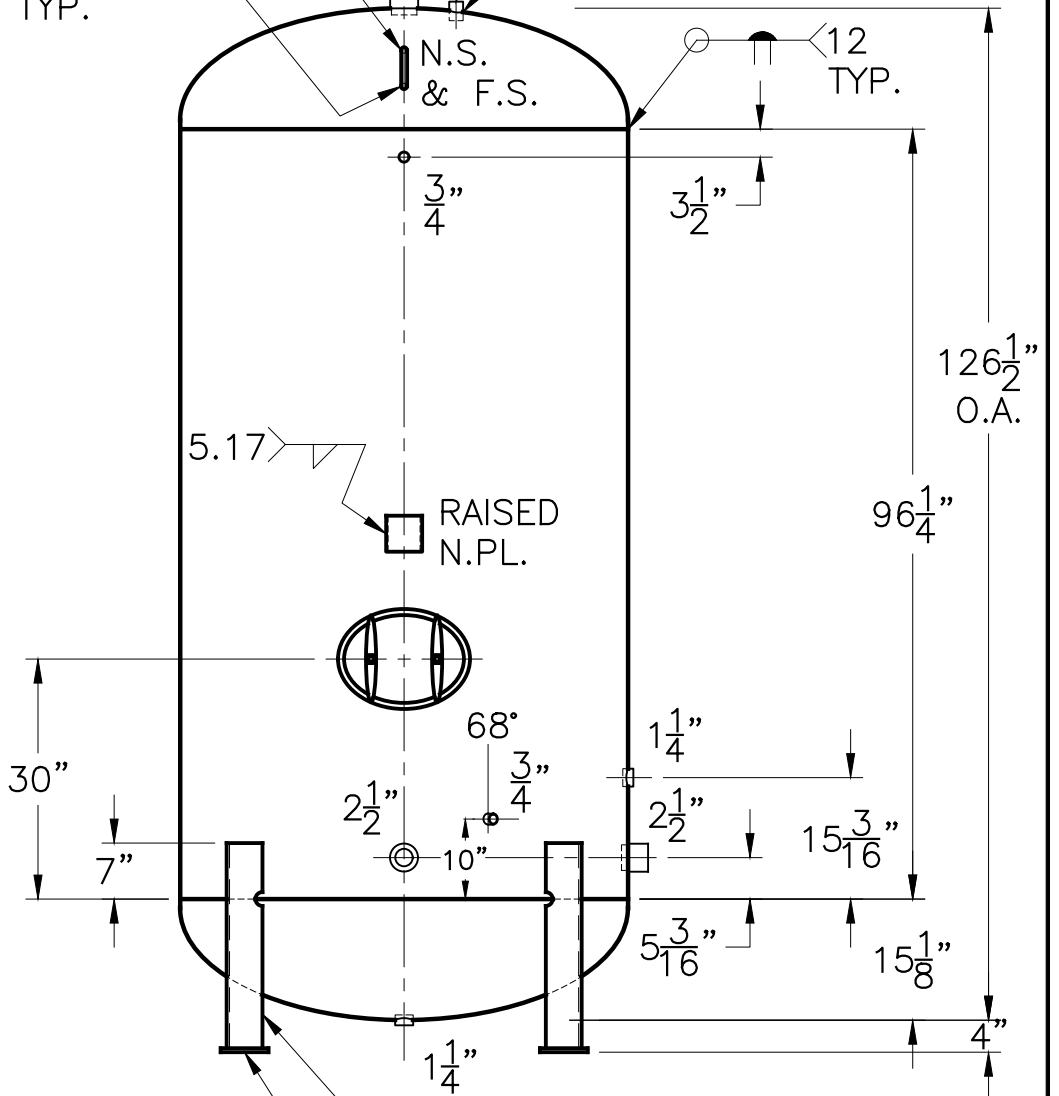
12  
TYP.

1 1/2"  
STICK OUT

7/32" / .218" / 7/32" → 5.14  
FULL PEN.

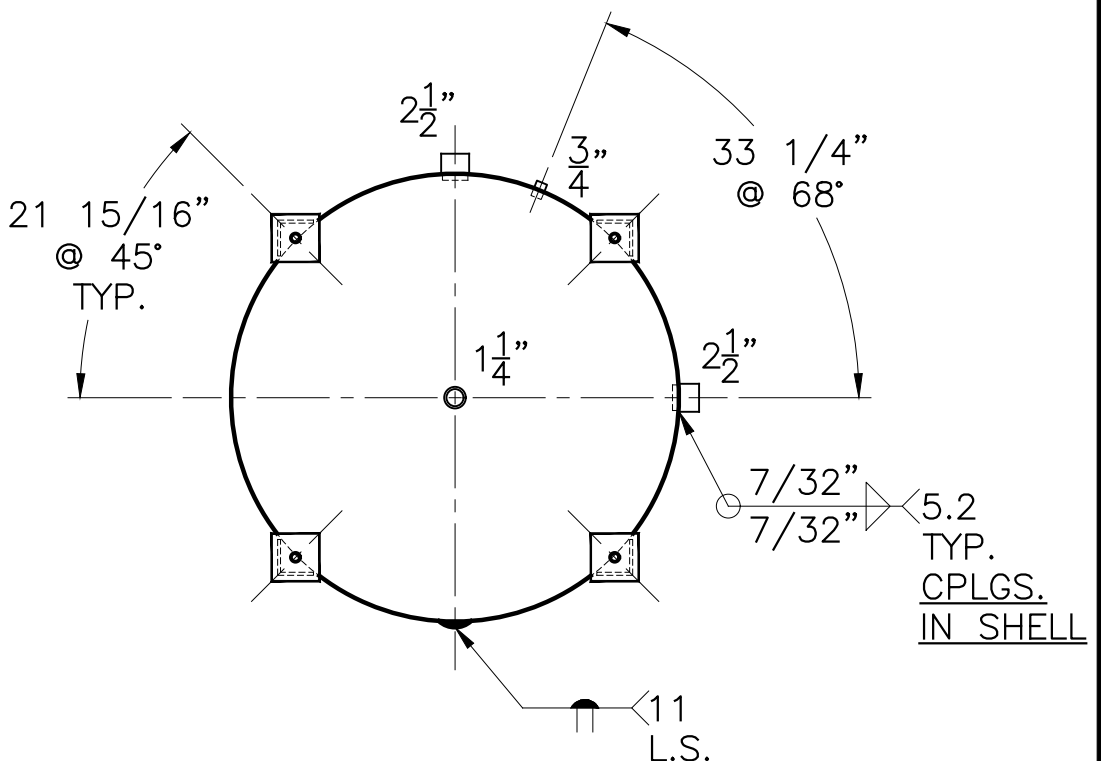
3/4"-3000#  
FULL CPLG.  
(2) PLC'S.

11"x 15" M. WAY  
W/ 1"x 4" LG.  
GR.70 RING



(4) 4"x 4"x 3/8" THK.  
x 25 5/8" LG. ANGLE LEGS

(4) 6"x 6"x 1/2" THK.  
PAD W/ 7/8"φ HOLE



7/32" / 7/32" → 5.2  
TYP. CPLGS.  
IN SHELL

NOTE: 1) SEAL ALL OPENINGS TO KEEP CEMENT MOIST TO PREVENT CRACKING.  
2) HYDRO @ 188 PSIG. MIN. TO 197 PSIG. MAX.  
3) EXTEND ALL CPLGS. 5/8" INSIDE.

.248" SA-455 2:1 S.E.  
(.186" MIN.) JOGGLE

CS-56-1225-V  
REV. 3-17-04  
DATE: 8-30-96

FOR: HANSON STANDARD  
VERT. WATER TANK

.218" SA-455

165.7 SQ. FT. SURFACE AREA.  
THIS TANK IS SHIPPED WITH ALL  
OPENINGS SEALED. THE CEMENT LINING  
MUST BE KEPT MOIST BEFORE, DURING,  
AND AFTER INSTALLATION TO PREVENT  
CRACKING OF THE CEMENT.

M.A.W.P. 125 PSIG. @ 210 °F

INSIDE: CEMENT LINED

ASME SECTION IV 2001 ADD. 2003

OUTSIDE: PRIME

X-RAY: RT-NO / H.L.W.

(1180) LEG-ZONE 4-15 KM.

GALLONS: 1225 WT. 2993 LBS.

CAD-"B" UNDER "STD"-SERIES

SERIAL NO.

BY: E.S. SCALE: 1/2"=12"

N.B.

ROY E. HANSON JR. MFG.

1924 COMPTON AVE.  
LOS ANGELES, CA 90011