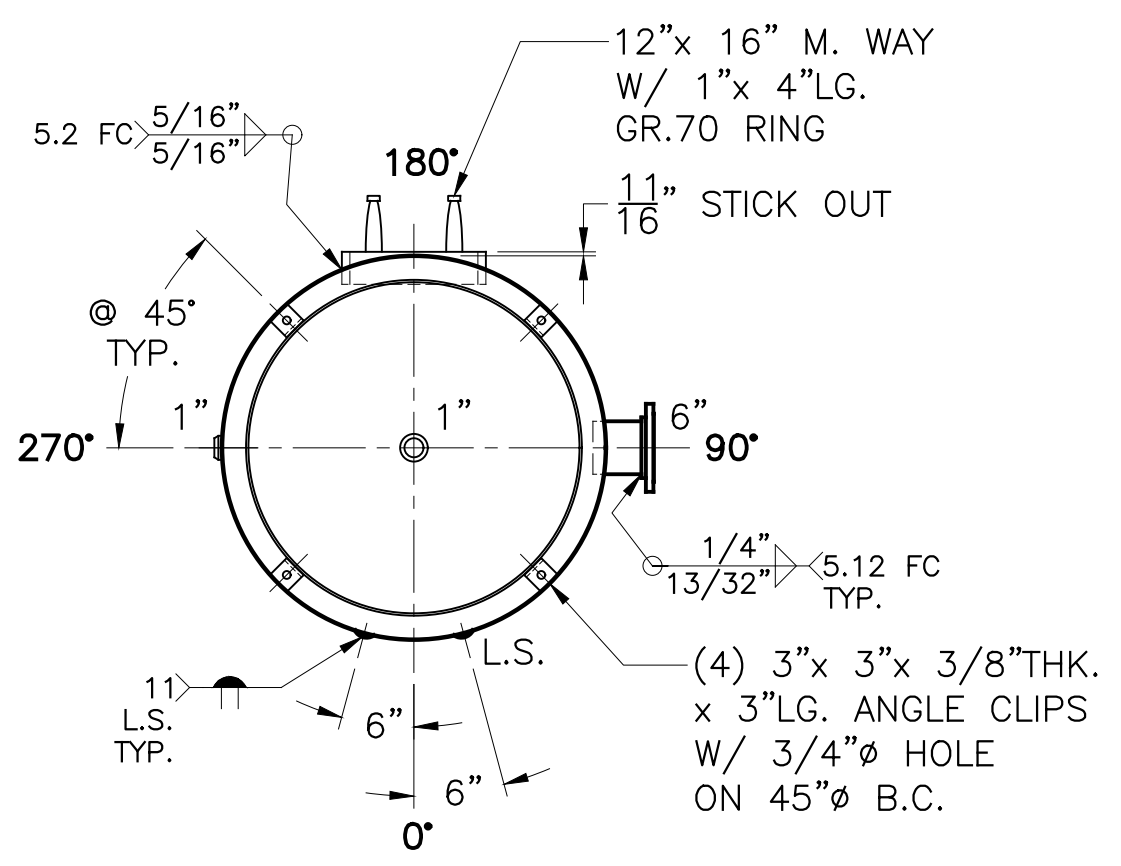
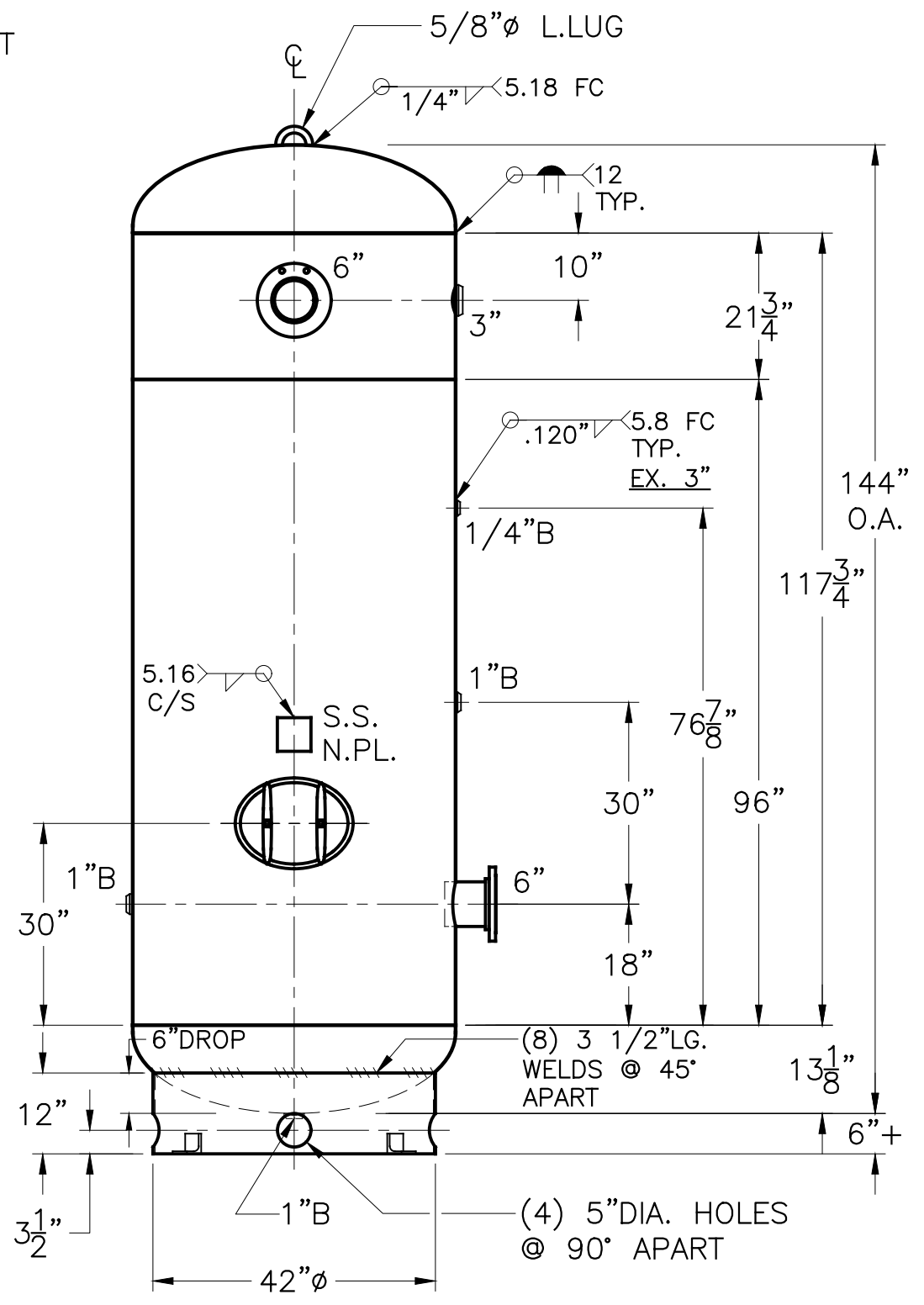


6"-150# R.F.S.O. FLG.
W/ SCH. 80 SA-106-C
PIPE x 7 5/8"LG.
(2) PLC'S.



NOTE: 1) CRN #U5219.2
2) DRAIN FOR HORIZONTAL MOUNT ADDED AFTER SERIAL #423,136
3) HYDRO @ 260 PSIG. MIN.

SHELL / HEADS		.250" SA-455 2:1 S.E.	
JOGGLE			
TOP-	.289" SA-455 X 21 3/4"		
LOWER-	.289" SA-612 X 96"		
M.A.W.P.	200 PSIG. @ 400 °F		
M.D.M.T.	-20 °F @ 200 PSIG.		
ASME SECTION VIII	DIV. 1, 2017		
X-RAY:	RT-4 SPOT L.S. & HDS. G.S.		
GALLONS:	1060 WT. 2128 LBS.		
SERIAL NO.			
N.B.			
48-VA-1060-R		REV. 6-14-19	
FOR: HANSON STANDARD		DATE: 10-27-98	
VERT. AIR TANK			
SURFACE AREA = 160.4 SQ. FT.			
UW-21(b)			
INSIDE: UNPAINTED			
OUTSIDE: PRIME			
CAD "B" SIZE UNDER "STD"-SERIES			
BY: J.A.	SCALE: 1/2"=12"		
ROY E. HANSON JR. MFG.			
LOS ANGELES, CA 90021			