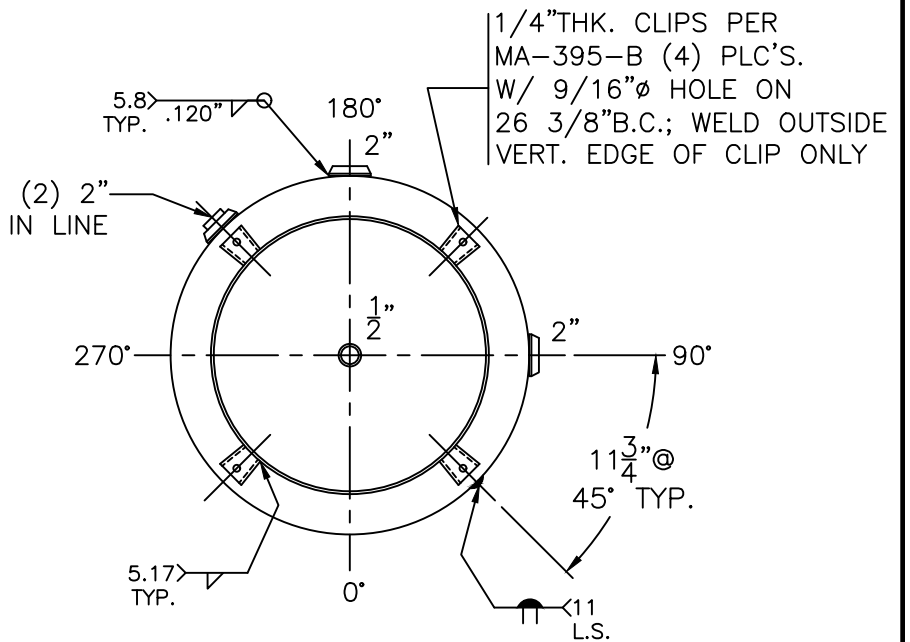
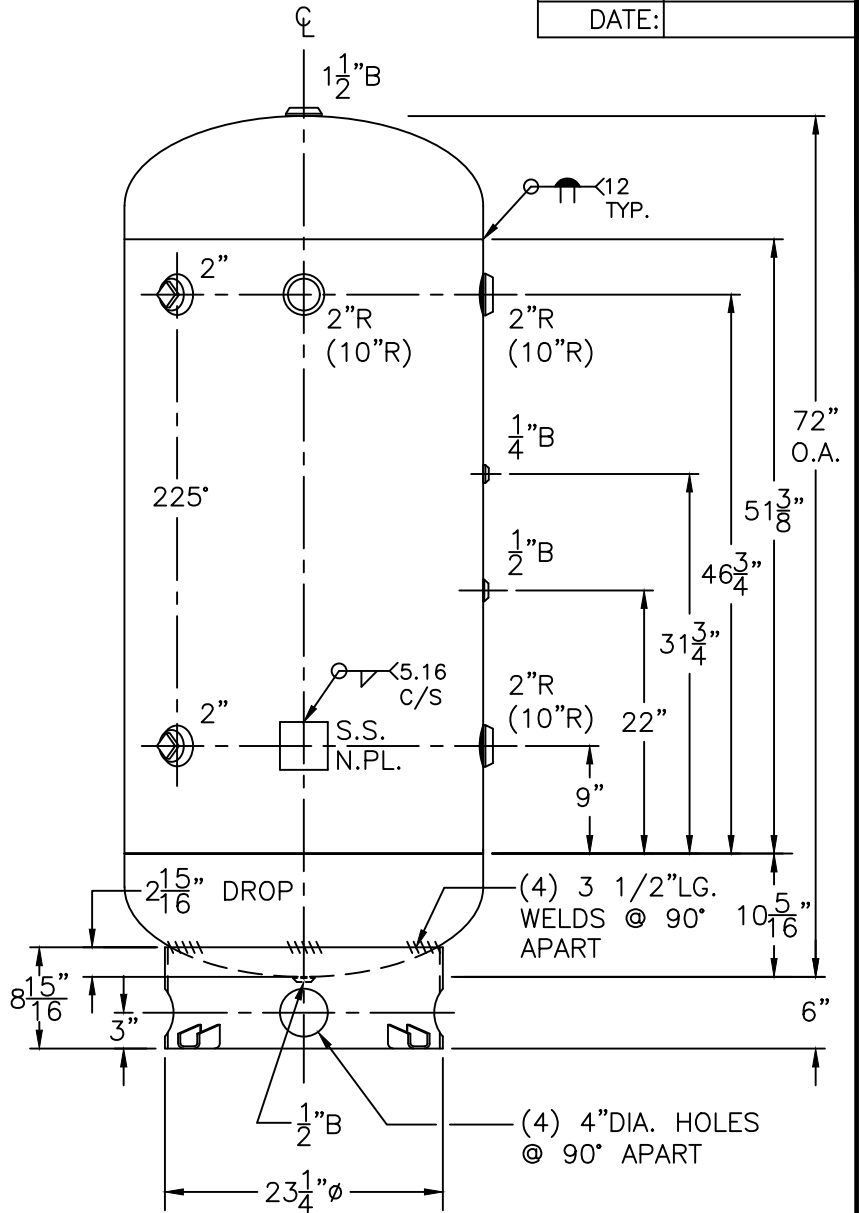
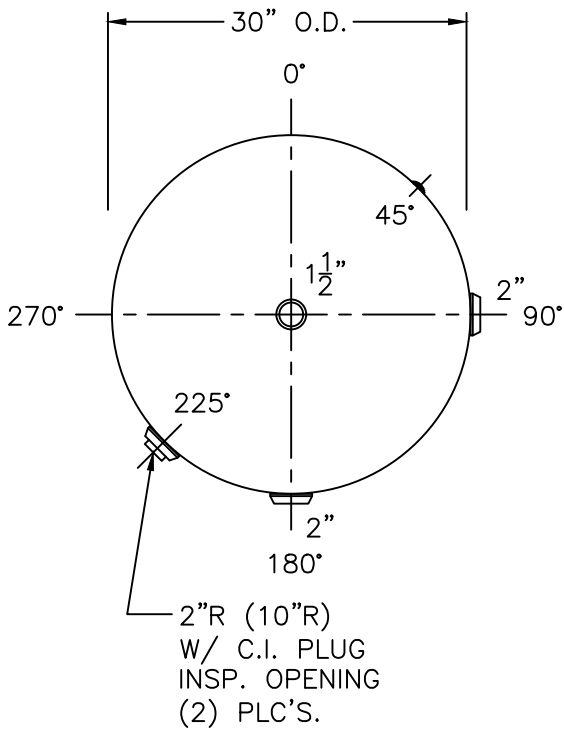


JOB No. _____
 DATE: _____



NOTE: 1) HYDRO @ 260 PSIG. MIN.

SHELL / HEADS		M.A.W.P. 200 PSIG. @ 400 °F	
.166" SA-414-G 2:1 S.E.		M.D.M.T. -20 °F @ 200 PSIG.	
(.164" MIN.) JOGGLE		ASME. SECTION VIII DIV. 1, 2017	
.165 SA-414-G		X-RAY: RT-4 SPOT L.S.	
GALLONS: 200		WT. 380 LBS.	
SERIAL NO.		BY: J.A.	
N.B.		SCALE: 3/4"=12"	
30-YA-200-R		REV. 6-7-19	
FOR: HANSON STANDARD		DATE: 11-24-86	
VERT. AIR TANK		INSIDE: UNPAINTED	
		OUTSIDE: PRIME	
		ROY E. HANSON JR. MFG.	
		LOS ANGELES, CA 90021	