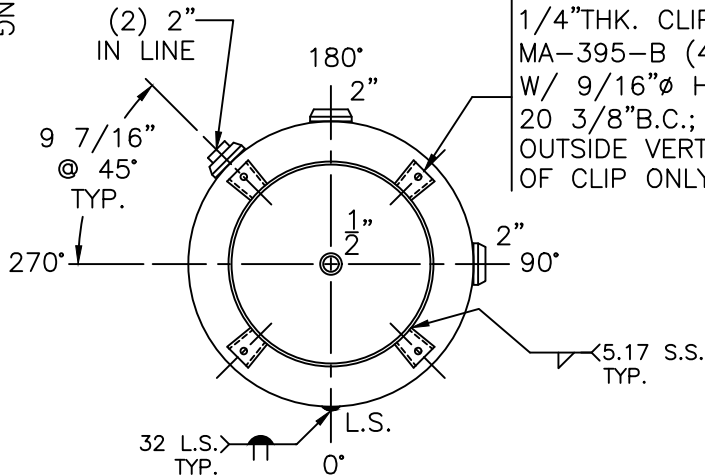


2"R
W/S. STL. PLUG
INSP. OPENING
(2) PLC'S.

NOTE: 1) 3) UHA-51 (e)(2) NO IMPACT TESTING.
2) ALL BONYS ARE SA-182-304 S.S.
HYDRO @ 260 PSIG. MIN.

304 S.S. -
1/4" THK. CLIPS PER
MA-395-B (4) PLC'S.
W/ 9/16" Ø HOLE ON
20 3/8" B.C.; WELD
OUTSIDE VERT. EDGE
OF CLIP ONLY



SHELL / HEADS		.1875" SA-240-304 2:1 S.E.	
M.A.W.P. 200 PSIG. @ 200 °F		24-VA-120-R	
M.D.M.T. -155 °F @ 200 PSIG.		304 S.S.	
ASME SECTION VIII DIV. 1, 2015		FOR: HANSON TANK	
X-RAY: RT-NO		VERT. AIR TANK	
GALLONS: 120		SURFACE AREA = 36.5 SQ. FT.	
SERIAL NO.		INSIDE: PASSIVATE	
N.B.		OUTSIDE: BEAD BLAST & PASSIVATE	
WT. 347 LBS.		BY: E.S.	
		SCALE: 3/4" = 12"	
		ROY F. HANSON JR. MFG.	
		LOS ANGELES, CA 90021	
		REV. 5-2-16	
		DATE: 3-27-06	