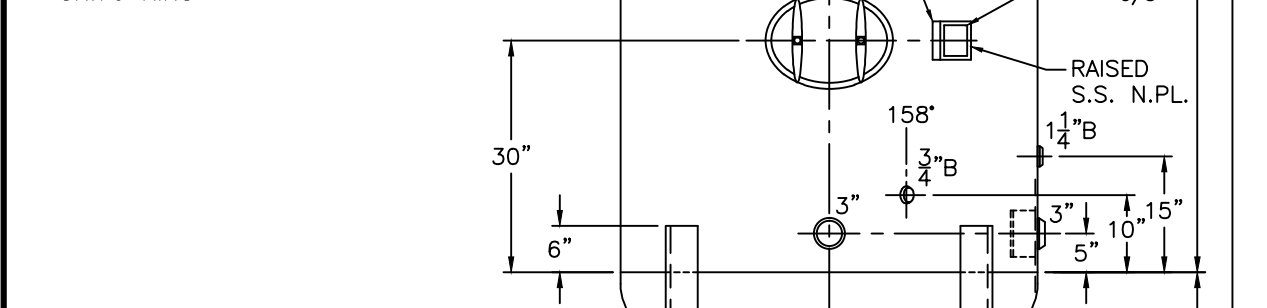
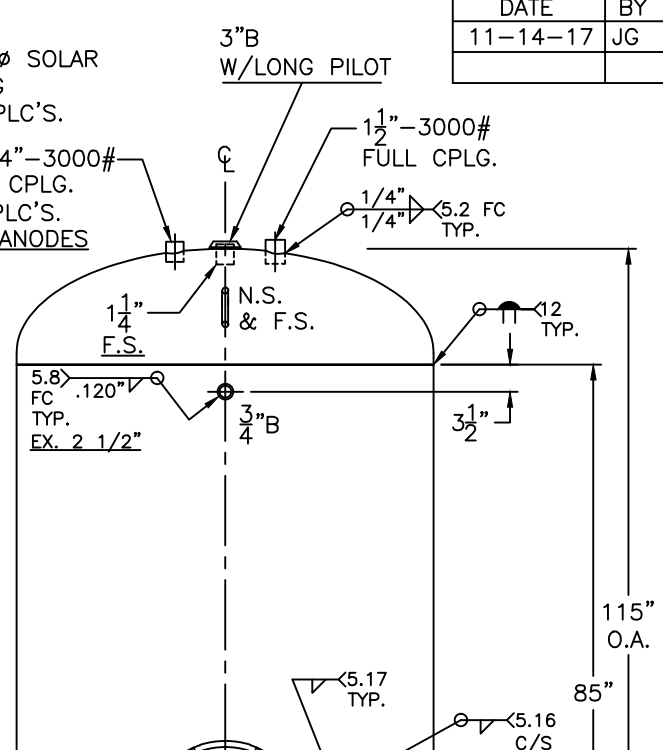
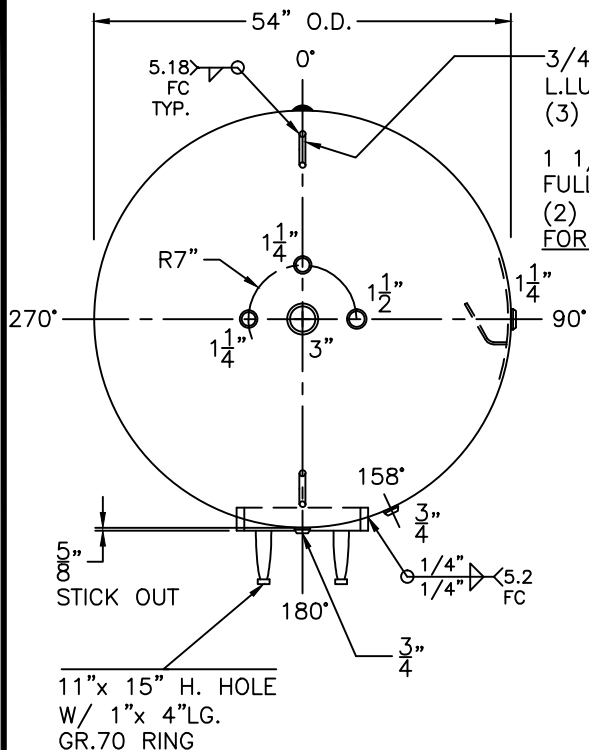
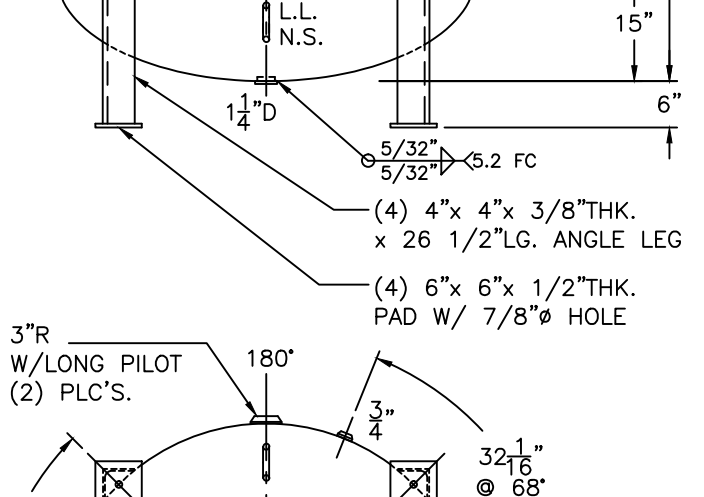


DATE	BY
11-14-17	JG



SHELL / HEADS	
M.A.W.P.	150 PSIG. @ 210 °F
ASME SECTION	IV 2015
X-RAY:	RT-NO / H.L.W.
GALLONS:	1040 WT. 1712 LBS.
SERIAL NO.	
N.B.	

NOTE: 1) SHIP LOOSE W/ (2) 1 5/16" x 72" LG. FLEX. MAG. ANODES.
 2) HYDRO @ 225 PSIG. MIN. TO 235 PSIG. MAX.
 3) 12-1-17 PROOF TEST
 4) HANSON STANDARD.



FOR:	
VERT. HOT WATER TANK.	
SURFACE AREA = 146.1 SQ. FT.	
INSIDE: GLASS LINED (5 MILS MIN.)	
OUTSIDE: S. BLAS. AND PRIME	
LEG ZONE: 4-15 KM.	
BY: J.G.	SCALE: 3/4"=12"
ROY E. HANSON JR. MFG.	
LOS ANGELES, CA 90021	

WL-110-B
 REV. 12-01-17
 DATE: 11-14-17

