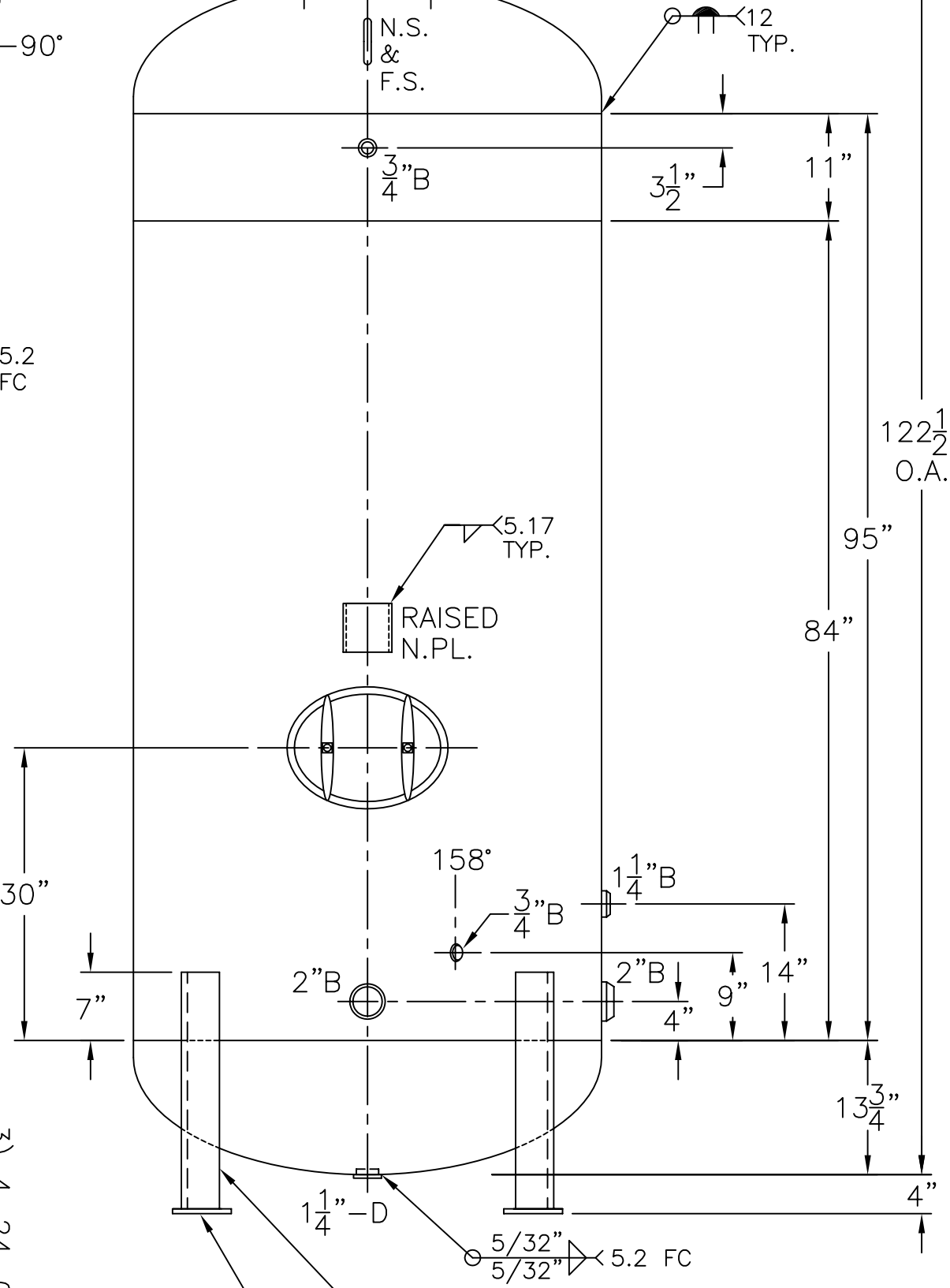


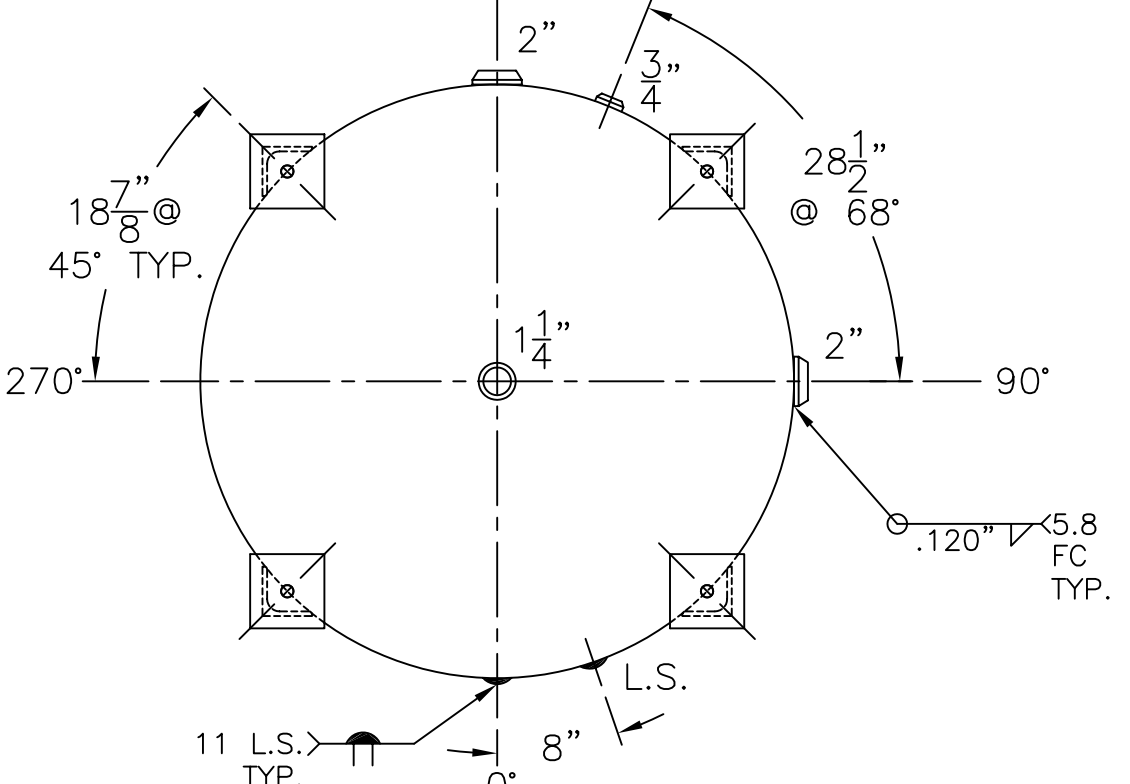
11"x 15"H.HOLE
W/ 3/4"x 3"LG.
GR.70 RING

3/4"Ø SOLAR
L.LUG
(2) PLC'S
1 1/4"-3000#
FULL CPLG.
FOR ANODE
1 1/4"-3000#
FULL CPLG.



NOTE: 1) SHIP LOOSE W/(1) 1 5/16"x 120"LG. FLEX. MAG. ANODE.
2) HYDRO @ 240 PSIG.
3) 4-24-04 PROOF TEST.

(4) 4"x 4"x 3/8"THK. x
24 1/4"LG. ANGLE LEGS
(4) 6"x 6"x 1/2"THK.
PAD W/ 7/8"Ø HOLE
FOR 5/8"Ø x 8"LG. BOLTS
GRADE 5 OR BETTER
6" EMBEDMENT



SHELL / HEADS		M.A.W.P. 160 PSIG. @ 210 °F	
.200" SA-455		ASME SECTION IV 2010 ADD. 2010	
.245" SA-455 2:1 S.E.		X-RAY: RT-NO / H.L.W.	
JOGGLE		GALLONS: 900 WT. 1372 LBS.	
		SERIAL NO.	
		N.B.	
FOR: HANSON STANDARD		SCALE: 3/4"=12"	
VERT. HOT WATER TANK.		BY: J.G.	
SURFACE AREA = 136.7 SQ. FT.		LEG-ZONE 4-15 KM.	
INSIDE: GLASS LINED		CAD-"B" UNDER "STD"-SERIES	
OUTSIDE: PRIME		ROY E. HANSON JR. MFG.	
GS-48-900-V		1600 E. WASHINGTON BLVD. LOS ANGELES, CA 90021	
REV. 7-13-11			
DATE: 6-13-90			