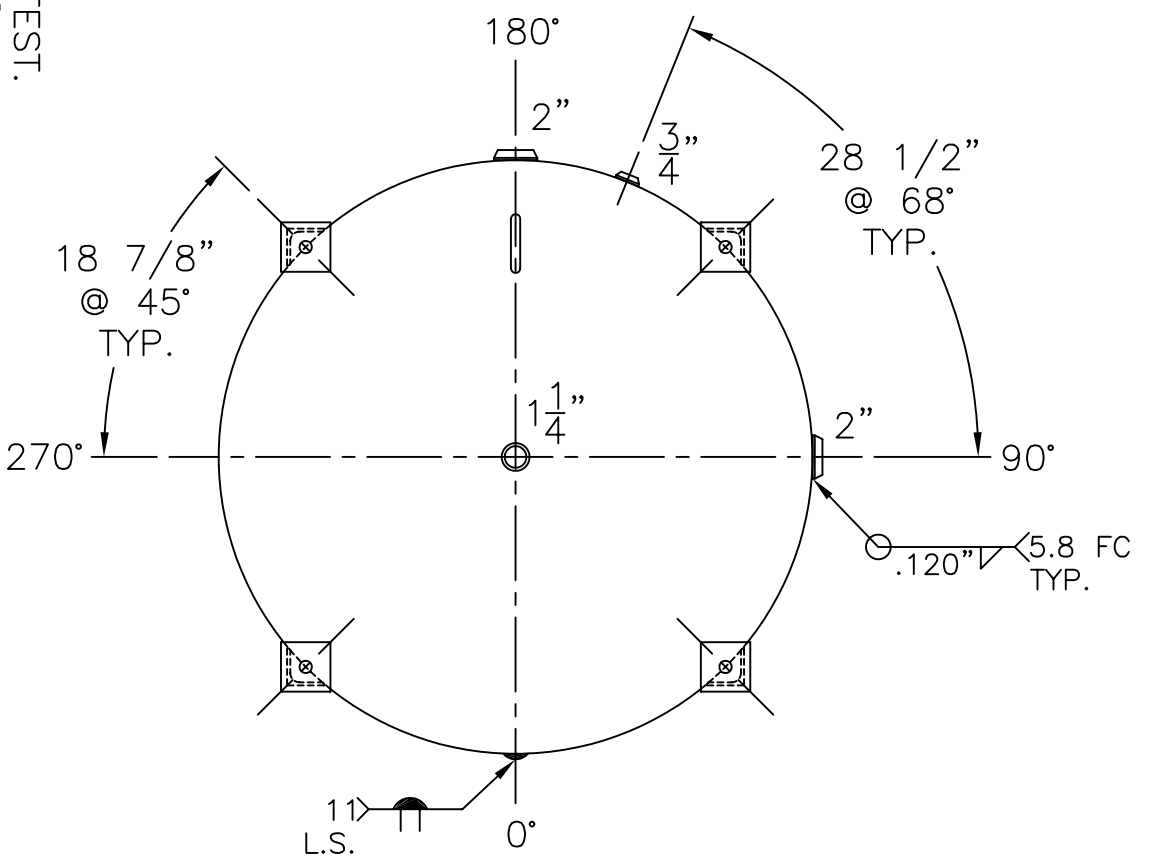


(4) 3" x 3" x 3/8" THK. x 23 3/8" LG. ANGLE LEGS

(4) 4" x 4" x 3/8" THK. PAD W/ 7/8" ϕ HOLE



NOTE: 1) 4-22-04 PROOF TEST.
2) HYDRO @ 240 PSIG.

SHELL / HEADS	
.245" SA-455	2:1 S.E.
JOGGLE - .208" OFFSET	
.205" SA-455	
M.A.W.P. 160 PSIG. @ 180 °F	
ASME SECTION IV 2013	
X-RAY: RT-NO / H.L.W.	
GALLONS: 585	WT. 1014 LBS.
SERIAL NO.	
N.B.	
ES-48-585-V	
FOR: HANSON STANDARD	REV. 3-18-14
VERT. WATER TANK	DATE: 5-1-89
SURFACE AREA = 94.5 SQ. FT.	
INSIDE: EPOXY LINED	
OUTSIDE: PRIME & R-16 FOAM	
LEG-ZONE 4-15 KM.	
CAD "B" SIZE UNDER STD. SERIES	
BY: E.S.	SCALE: 3/4" = 12"
ROY E. HANSON JR. MFG.	
1600 E. WASHINGTON BLVD.	
LOS ANGELES, CA 90021	