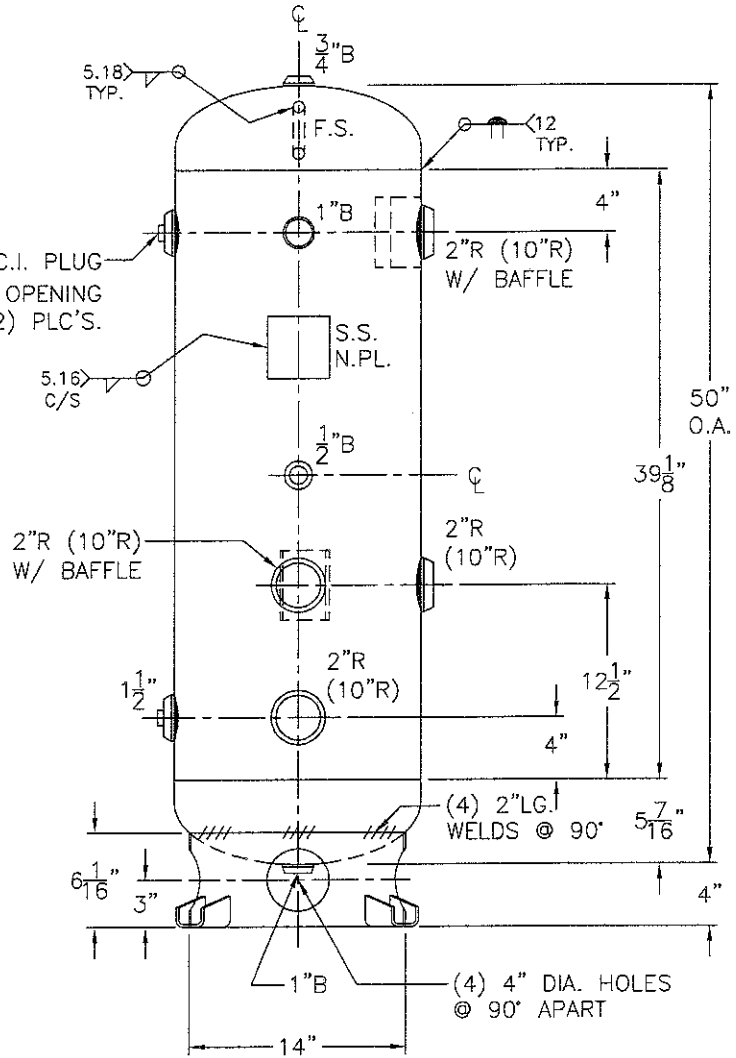
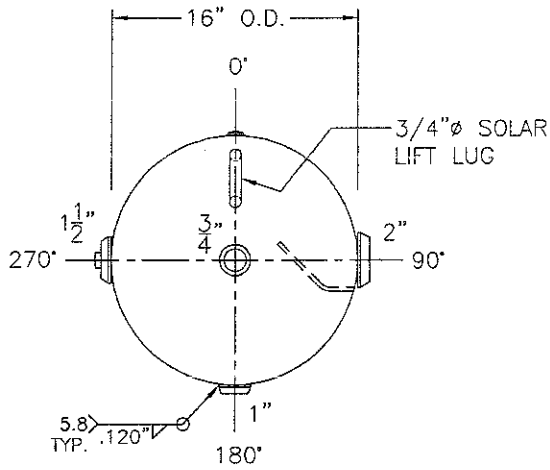
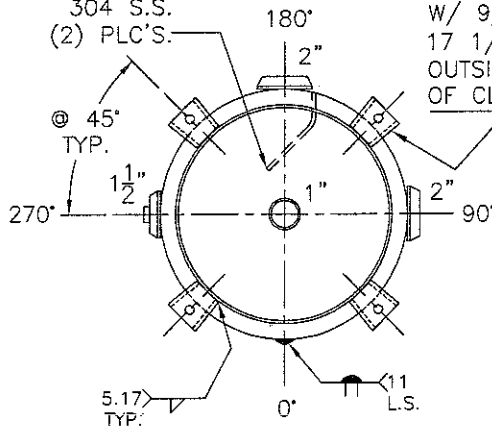


DATE	BY
10-22-14	JG
10-27-14	JG



STD. BAFFLE
3 1/2"x 7" LG.
304 S.S.
(2) PLC'S.

1/4" THK. CLIPS PER
MA-395-B (4) PLC'S.
W/ 9/16" Ø HOLE ON
17 1/8" B.C.; WELD
OUTSIDE VERT. EDGE
OF CLIP ONLY



NOTE: 1) HYDRO @ 195 PSIG. MIN.

SHELL / HEADS	
JOGGLE	.149" SA-414-G 2:1 S.E.
	136" SA-414-G
M.A.W.P.	150 PSIG. @ 250 °F
M.D.M.T.	-20 °F @ 150 PSIG.
ASME SECTION VIII	DIV. 1, 2013
X-RAY:	RT-NO
GALLONS:	40
SERIAL NO.	WT. 160 LBS.
N.B.	
FOR:	WO-372-B
DATE:	10-22-14
REV:	10-27-14
VERT. HOT WATER (BUFFER) TANK	
SURFACE AREA = 18.4 SQ. FT.	
INSIDE:	UNPAINTED
OUTSIDE:	PRIME & R-16
BY: E.S. / C.J.	SCALE: 1/8"=1"
ROY F. HANSON JR. MFG.	
1600 E. WASHINGTON BLVD.	
LOS ANGELES, CA 90021	