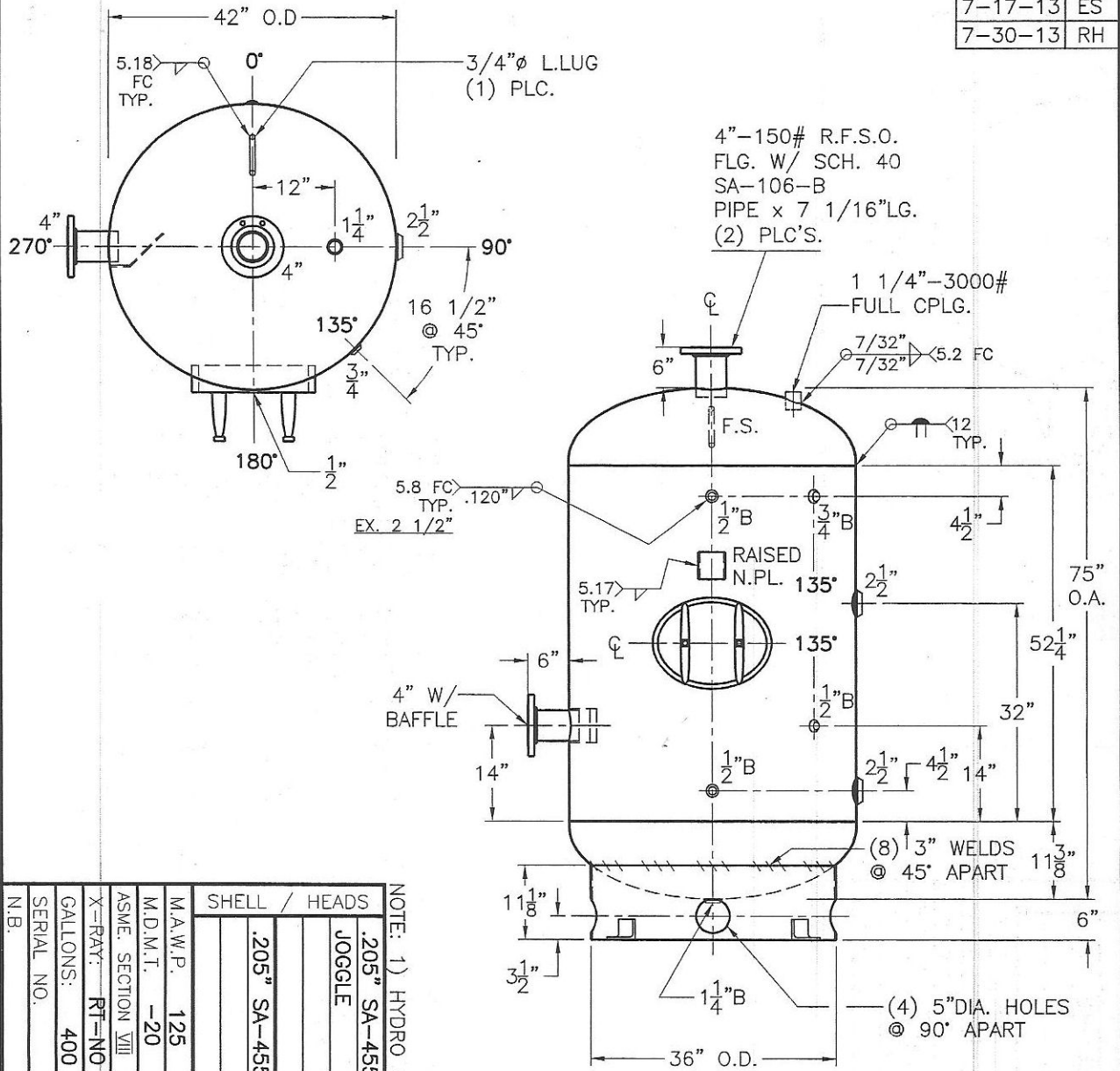


DATE	BY
7-16-13	RH
7-17-13	ES
7-30-13	RH



NOTE: 1) HYDRO @ 163 PSIG. MIN.

SHELL / HEADS	
JOGGLE	.205" SA-455 2:1 S.F.
M.A.W.P.	125 PSIG. @ 250 'F.
M.D.M.T.	-20 'F. @ 125 PSIG.
ASME SECTION VIII DIV. 1, 2010 ADD 2011	
X-RAY:	RT-NO
GALLONS:	400 WT. 918 LBS.
SERIAL NO.	N.B.

FOR:	WN-930-B	REV. 7-30-13
VERT. HOT WATER (BUFFER) TANK		DATE: 7-15-13
SURFACE AREA = 76.0 SQ. FT.		
INSIDE: UNPAINTED		
OUTSIDE: SHOP PRIMER		
BY: ES. / C.J.		SCALE: 3/4" = 12"
ROY E. HANSON JR. MFG.		
1600 E. WASHINGTON BLVD.		
LOS ANGELES, CA 90021		

