

12" x 16" M.WAY
W/1" x 3" LG.
GR. 70 RING

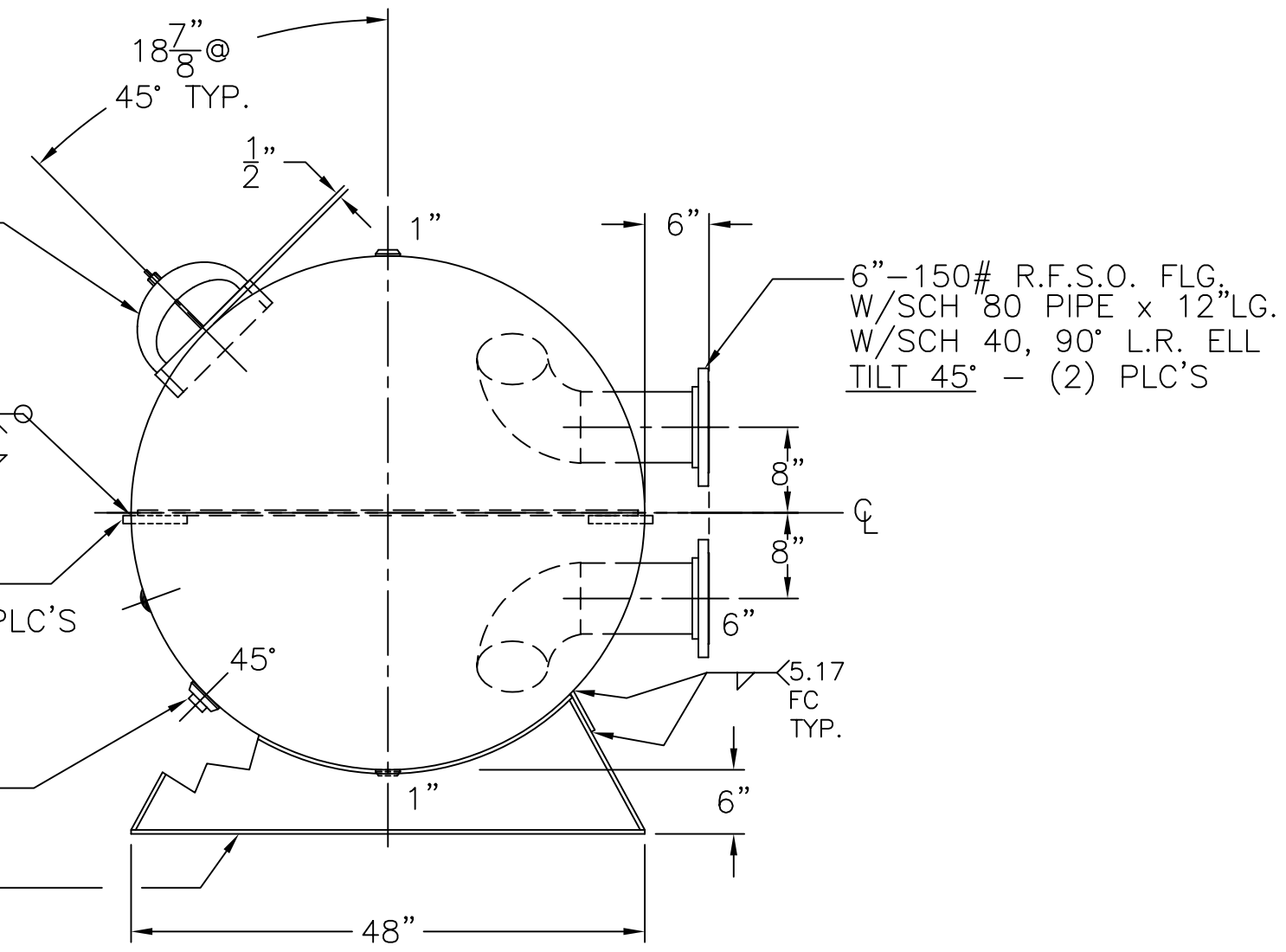
3/4" diameter R.B.
N.S. & F.S.

5.20
FC
.200"
FULL 3/16"
PEN.
TYP.

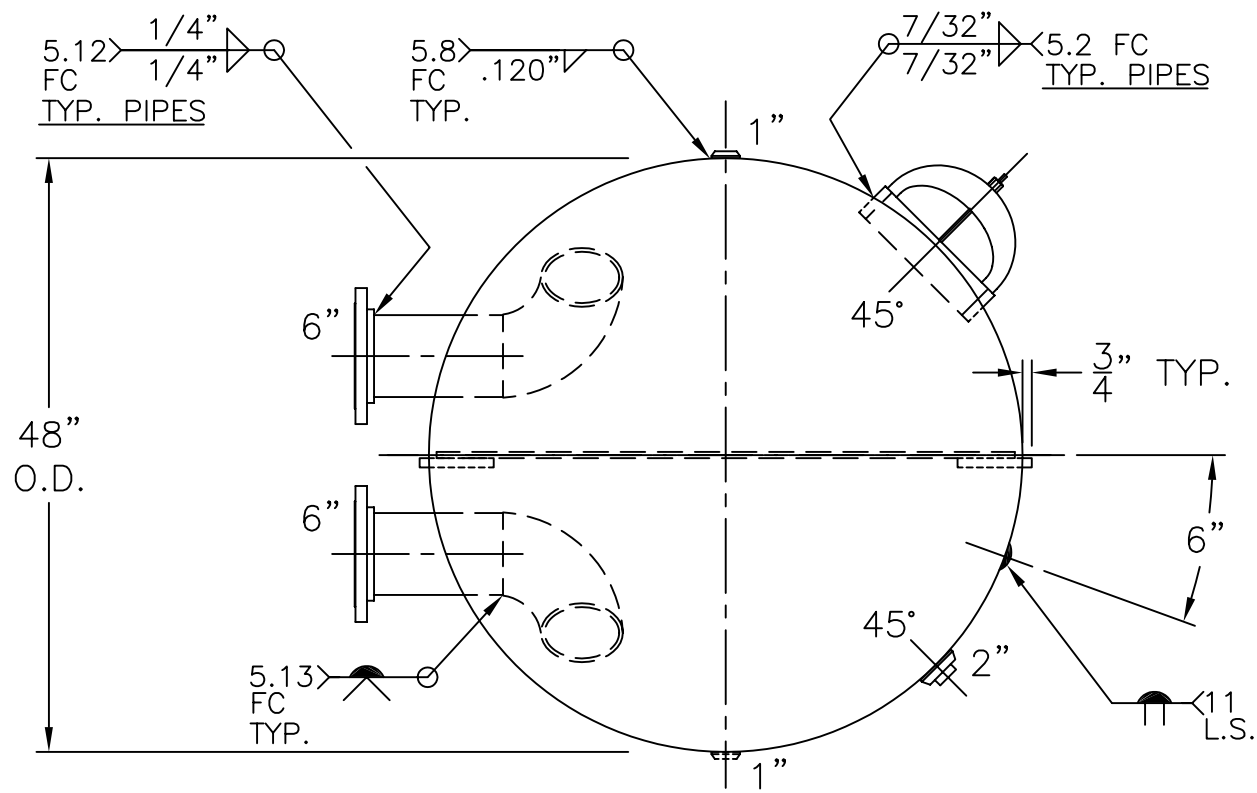
3/4" diameter ROUND BAR
SA-36 x 6" LG. (4) PLC'S
SEE NOTE: 2

2" B W/C.I. PLUG
INSP. OPENING

STYLE "A" SADDLES
W/WELDED CLIPS
PER: WK-009-B-1A



2) WELD 3/4" diameter ROUND BARS TO SHELL AFTER HEADS ARE IN PLACE.
NOTE: 1) HYDRO @ 165 PSIG.



HEADS	.200" SA-455 2:1 S.E.
	JOGGLED
SHELL	.200" SA-455
M.A.W.P.	125 PSIG. @ 200 °F
M.D.M.T.	0 °F @ 125 PSIG.
ASME. SECTION	VIII DIV. 1, 2004 ADD 2006
X-RAY:	RT-4 SPOT L.S. ONLY
GALLONS:	400
WT.	1062 LBS.
SERIAL NO.	
N.B.	

WL-781-B	REV.
	DATE: 1-11-07
FOR:	-
VERT. CHILLED WATER TANK.	
SURFACE AREA =	71.6 SQ. FT.
INSIDE:	UNPAINTED
OUTSIDE:	PRIME
BY: J.G./STEVE	SCALE: 3/4" = 12"
ROY E. HANSON JR. MFG.	
1600 E. WASHINGTON BLVD. LOS ANGELES, CA 90021	