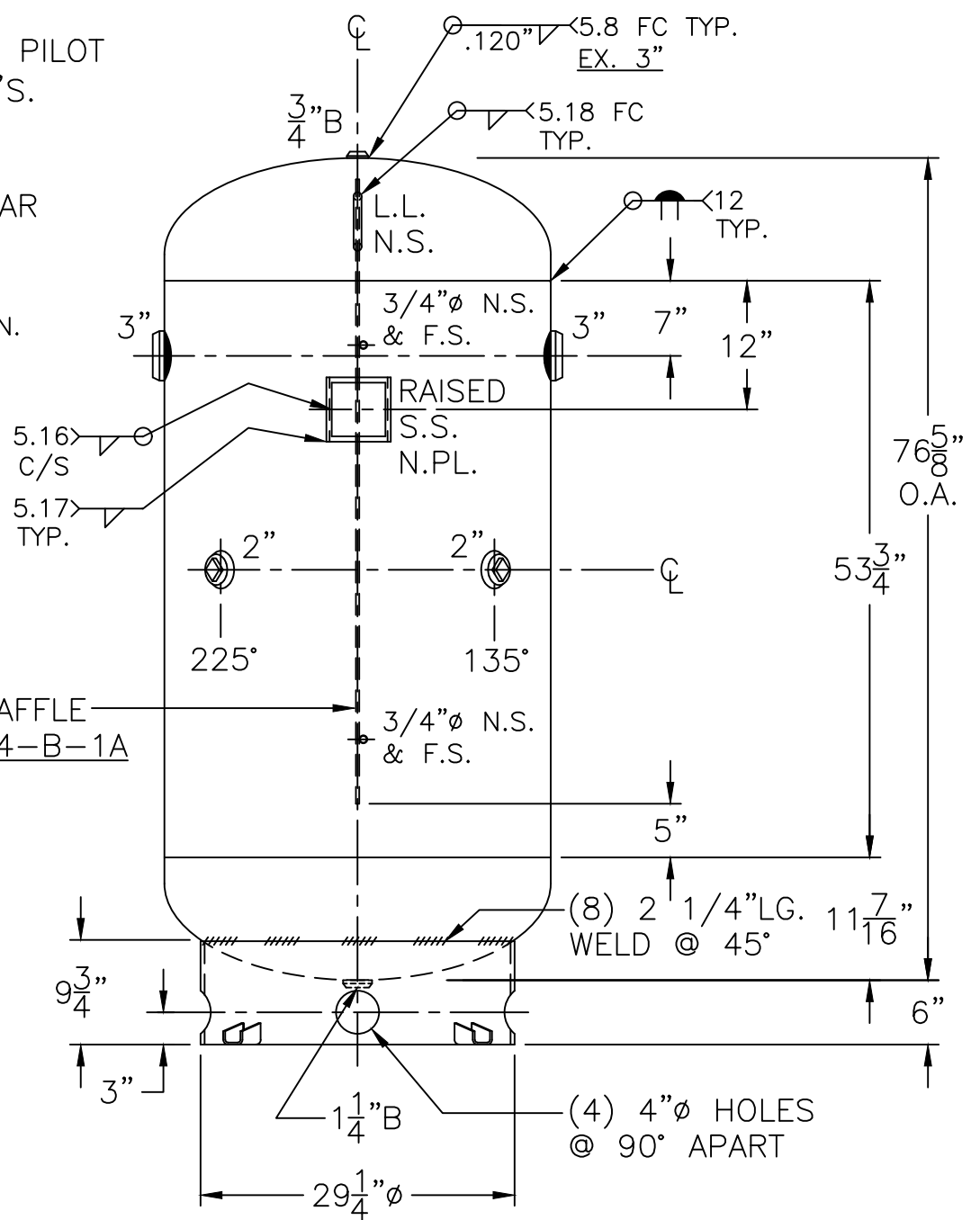
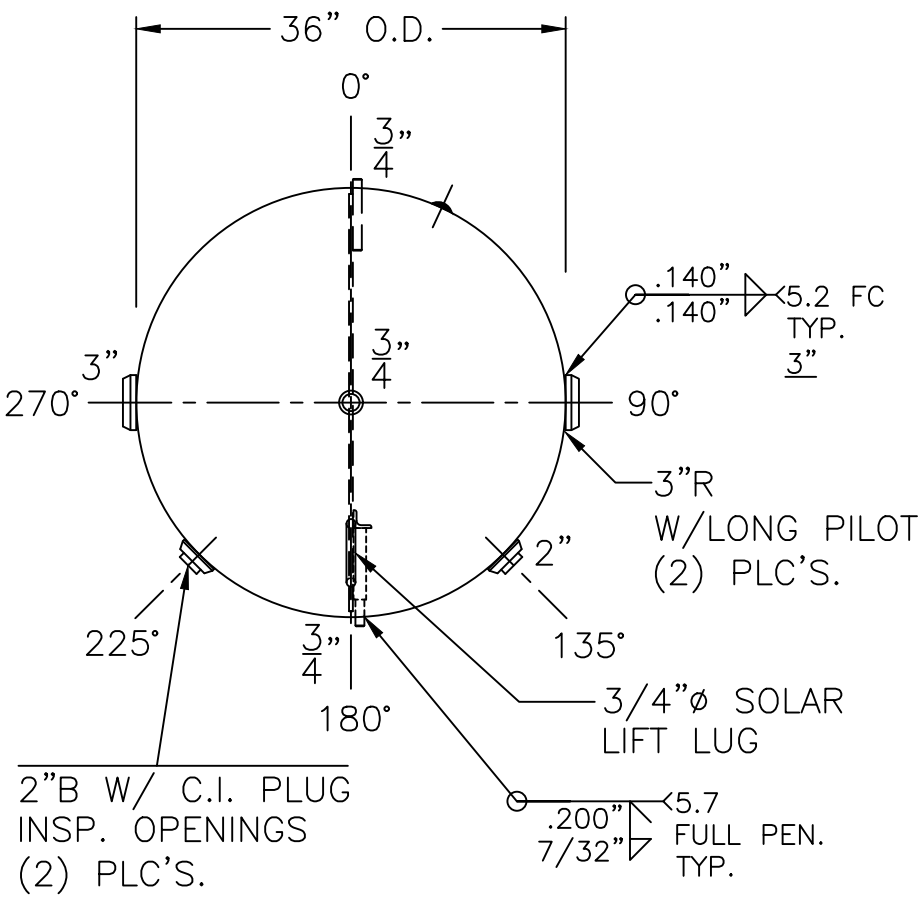


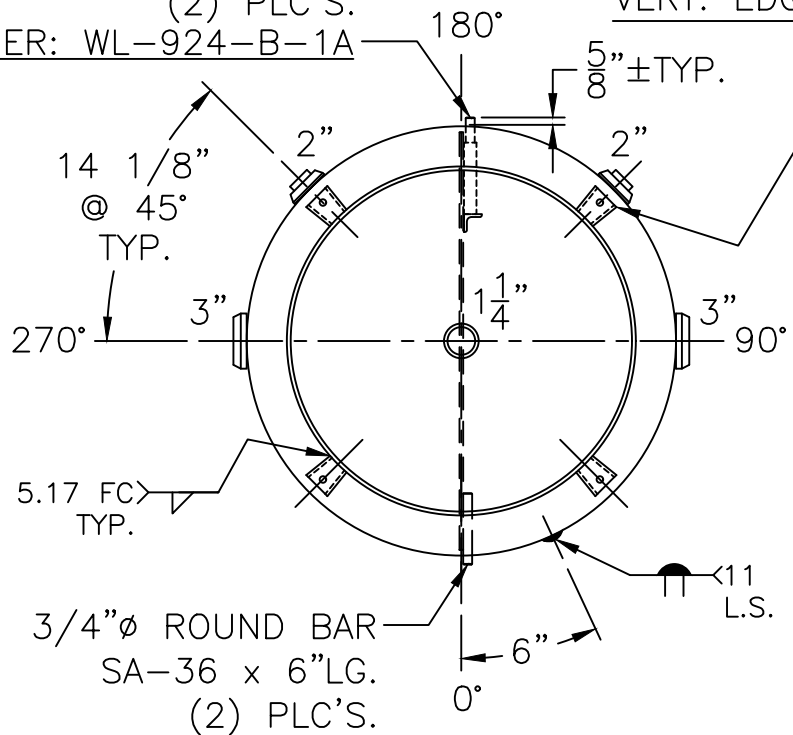
DATE	BY
3-22-16	ES
1-27-16	JG



.149" THK. - BAFFLE  
PER: WL-924-B-1A

1/4" THK. CLIPS PER  
MA-395-B (4) PLC'S.  
W/ 9/16" Ø HOLE ON  
32 3/8" B.C.; WELD OUTSIDE  
VERT. EDGE OF CLIP ONLY

3/4" Ø ROUND BAR  
304 S.S. x 6" LG.  
(2) PLC'S.  
PER: WL-924-B-1A



NOTE: 1) HYDRO @ 195 PSIG. MIN.  
2) WELD 3/4" Ø ROUND BARS TO SHELL AFTER HEADS ARE IN PLACE.

SHELL / HEADS		.189" SA-414-G 2:1 S.E.	
JOGGLE			
.200" SA-414-G (.181" MINIMUM)			
M.A.W.P.	150 PSIG. @ 200 °F		
M.D.M.T.	0 °F @ 150 PSIG.		
ASME SECTION VIII	DIV. 1, 2015		
X-RAY:	RT-NO		
GALLONS:	300	WT.	855 LBS.
SERIAL NO.			
N.B.			
<b>WL-924-B</b>		REV.	1-30-17
FOR: HANSON STANDARD		DATE:	5-16-07
VERT. CHILLED WATER TANK			
SURFACE AREA = 65.0 SQ. FT.			
INSIDE: UNPAINTED			
OUTSIDE: PRIME			
BY: E.S.	SCALE: 3/4"=12"		
<b>ROY F. HANSON JR. MFG.</b>			
LOS ANGELES, CA 90021			