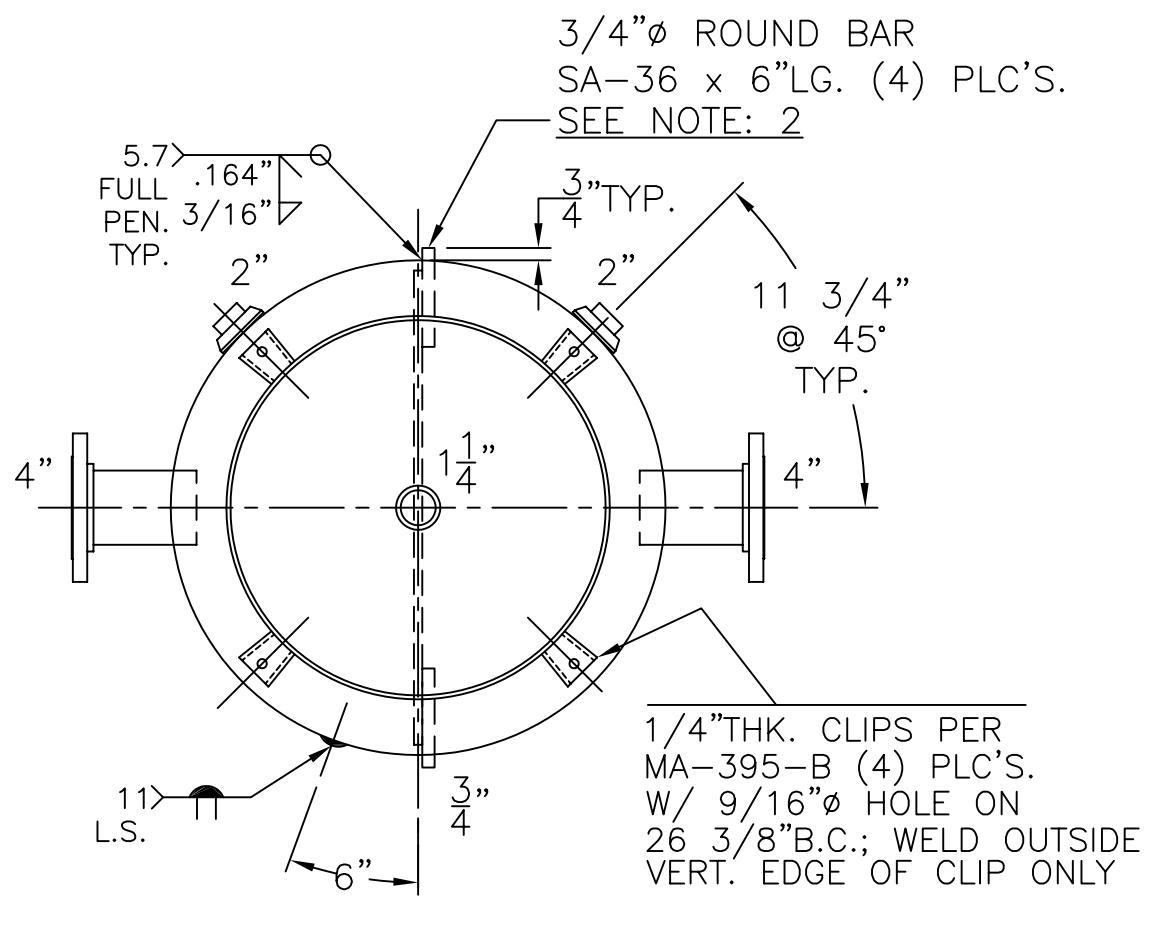
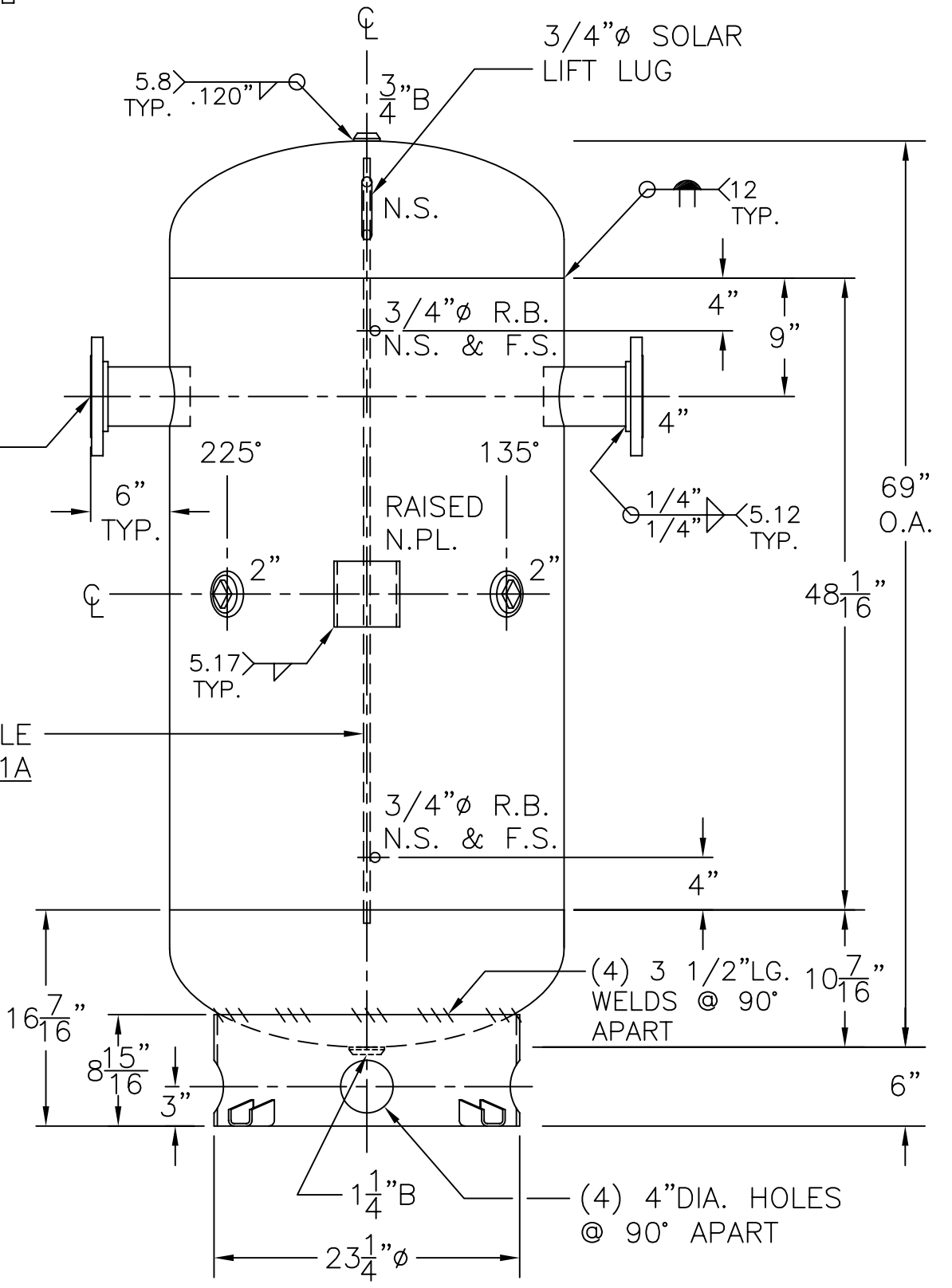


4"-150# R.F.S.O.  
FLG. W/ SCH. 40  
SA-106-B  
PIPE x 7 1/16" LG.  
(2) PLC'S.

.135" THK. BAFFLE  
PER: WL-872-B-1A



NOTE: 1) 2) WELD 3/4" Ø ROUND BARS TO SHELL AFTER HEADS ARE IN PLACE.  
HYDRO @ 195 PSIG. MIN.

SHELL / HEADS		M.A.W.P. 150 PSIG. @ 180 °F		FOR: -	WL-872-B	REV. 6-4-09
M.D.M.T. 0 °F @ 150 PSIG.		M.A.W.P. 150 PSIG. @ 180 °F				
ASME SECTION VIII DIV. 1, 2007 ADD 2008		M.D.M.T. 0 °F @ 150 PSIG.		VERT. CHILLED WATER TANK		
X-RAY: RT-NO		M.A.W.P. 150 PSIG. @ 180 °F		SURFACE AREA = 48.9 SQ. FT.		
GALLONS: 189		M.D.M.T. 0 °F @ 150 PSIG.		UW-21(b)		
SERIAL NO.		M.A.W.P. 150 PSIG. @ 180 °F		INSIDE: UNPAINTED		
N.B.		M.D.M.T. 0 °F @ 150 PSIG.		OUTSIDE: PRIME		
WT. 525 LBS.		ASME SECTION VIII DIV. 1, 2007 ADD 2008		BY: E.S. / FRED SCALE: 1"=12"		
RT-NO		X-RAY: RT-NO		ROY E. HANSON JR. MFG.		
189		GALLONS: 189		1600 E. WASHINGTON BLVD.		
WT. 525 LBS.		N.B.		LOS ANGELES, CA 90021		