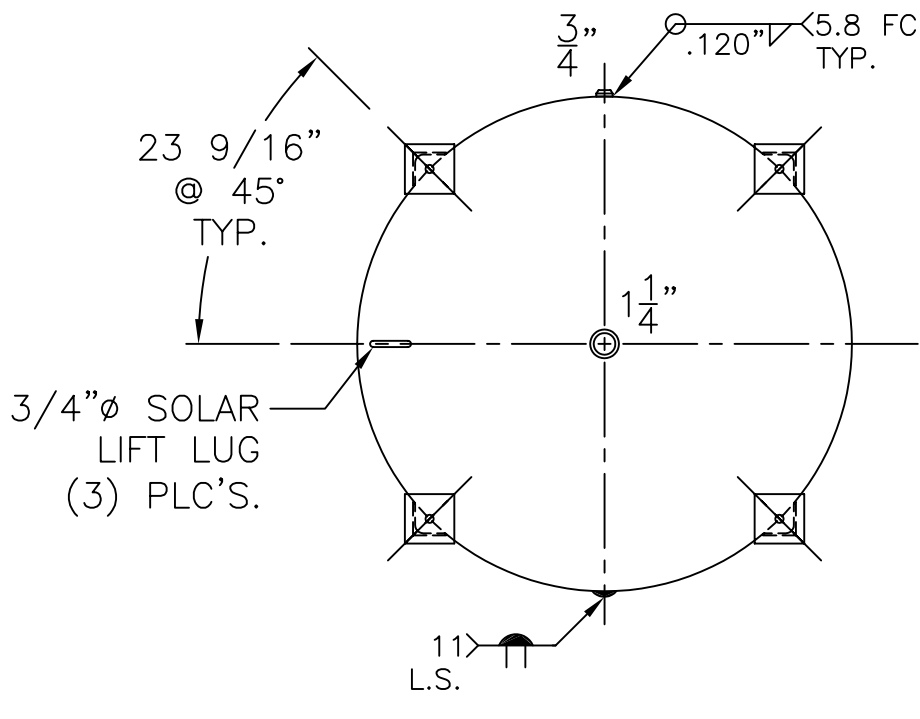


2"x 2"x 1/4" THK.  
CROSS ANGLE BRACE  
TRIM TO SUIT

(4) 4"x 4"x 3/8" THK.  
x 28 13/16" LG. ANGLE LEGS  
(4) 6"x 6"x 1/2" THK.  
PAD W/ 1" Ø HOLE  
FOR 3/4" Ø x 6" LG. BOLTS  
GRADE 5 OR BETTER

NOTE: 1) 2) 3)  
HYDRO @ 166 PSIG. MIN.  
PIPES ARE SA-53B E.R.W.  
SHIP 90° DOWN.

SHELL / HEADS	
TOP - .3125" SA-455	2:1 S.E.
BTM. - .250" SA-455	2:1 S.E.
.218" SA-455	
M.A.W.P. 125 PSIG. @ 200 °F	
M.D.M.T. 0 °F @ 125 PSIG.	
ASME SECTION VIII DIV. 1, 2004 ADD. 2005	
X-RAY: RT-4 SPOT L.S. ONLY	
GALLONS: 1200	WT. 2511 LBS.
SERIAL NO.	
N.B.	



<b>WL-748-B</b>		REV.
FOR: -		DATE: 12-4-06
VERT. CHILLED WATER TANK		
SURFACE AREA = 158.9 SQ. FT.		
INSIDE: UNPAINTED		
OUTSIDE: PRIME		
LEG-ZONE 3-15 KM.		
BY: E.S. / C.J. SCALE: 1/2"=12"		
<b>ROY E. HANSON JR. MFG.</b>		
1600 E. WASHINGTON BLVD.		
LOS ANGELES, CA 90021		