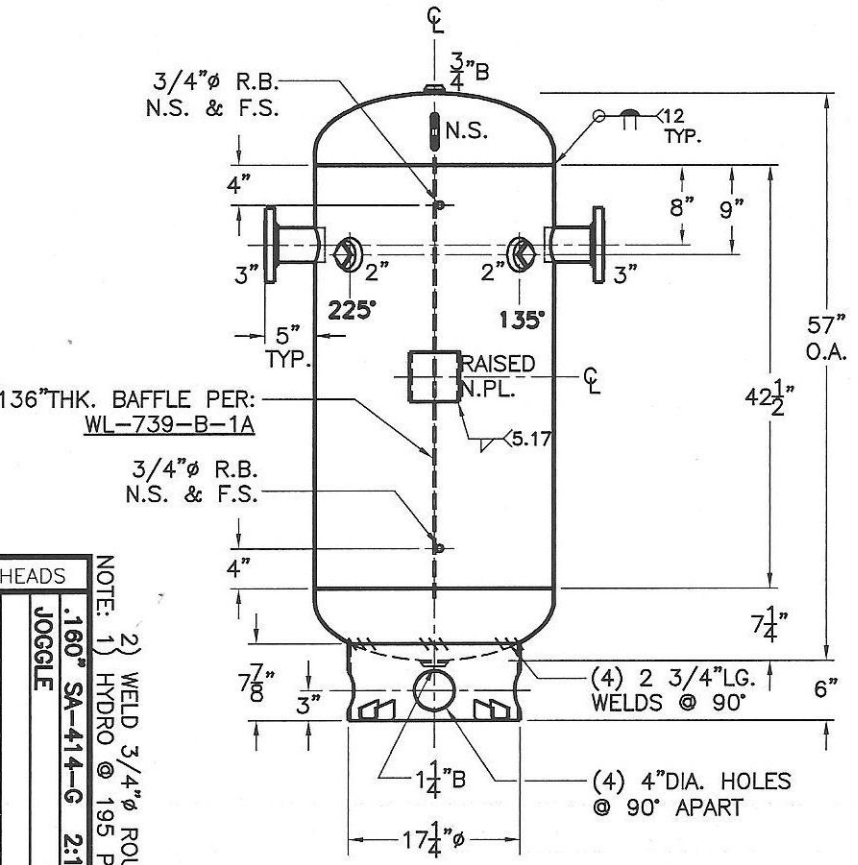
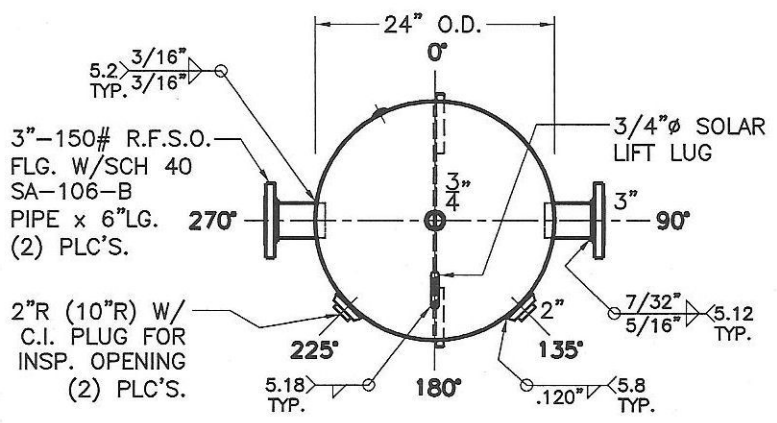
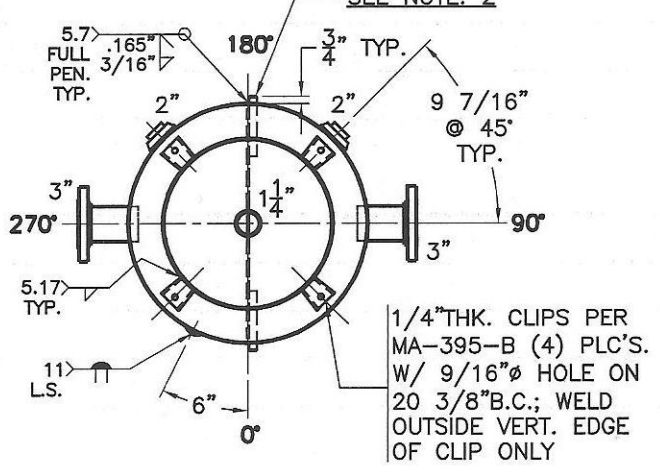


DATE	BY
7-16-13	R.H.
7-17-13	R.H.



.136" THK. BAFFLE PER:
 WL-739-B-1A

3/4" 0° ROUND BAR
 SA-36 x 6" LG. (4) PLC'S.
 SEE NOTE: 2



1/4" THK. CLIPS PER
 MA-395-B (4) PLC'S.
 W/ 9/16" 0° HOLE ON
 20 3/8" B.C.; WELD
 OUTSIDE VERT. EDGE
 OF CLIP ONLY

NOTE: 1) HYDRO @ 195 PSIG. MIN.
 2) WELD 3/4" 0° ROUND BARS TO SHELL AFTER HEADS ARE IN PLACE.

SHELL / HEADS	
JOGGLE	.160" SA-414-G 2:1 S.E.
	.165" SA-414-G
M.A.W.P.	150 PSIG. @ 200 °F
M.D.M.T.	0 °F @ 150 PSIG.
ASME SECTION VIII	DIV. 1, 2010 ADD 2011
X-RAY:	RT-NO
GALLONS:	100
SERIAL NO.	WT. 327 LBS.
INSIDE: UNPAINTED	
OUTSIDE: PRIME	
FOR: ANDERSON SYSTEMS	VERT. CHILLED WATER TANK
SURFACE AREA = 32.2 SQ. FT.	
BY: J.G./R.V.	SCALE: 1"=12"
REV. 7-17-13	
DATE: 11-29-06	
WL-739-B	
FOR: ANDERSON SYSTEMS	
VERT. CHILLED WATER TANK	
SURFACE AREA = 32.2 SQ. FT.	
INSIDE: UNPAINTED	
OUTSIDE: PRIME	
BY: J.G./R.V.	
SCALE: 1"=12"	
1600 E. WASHINGTON BLVD.	
LOS ANGELES, CA 90021	

ROY E. HANSON JR. MFG.