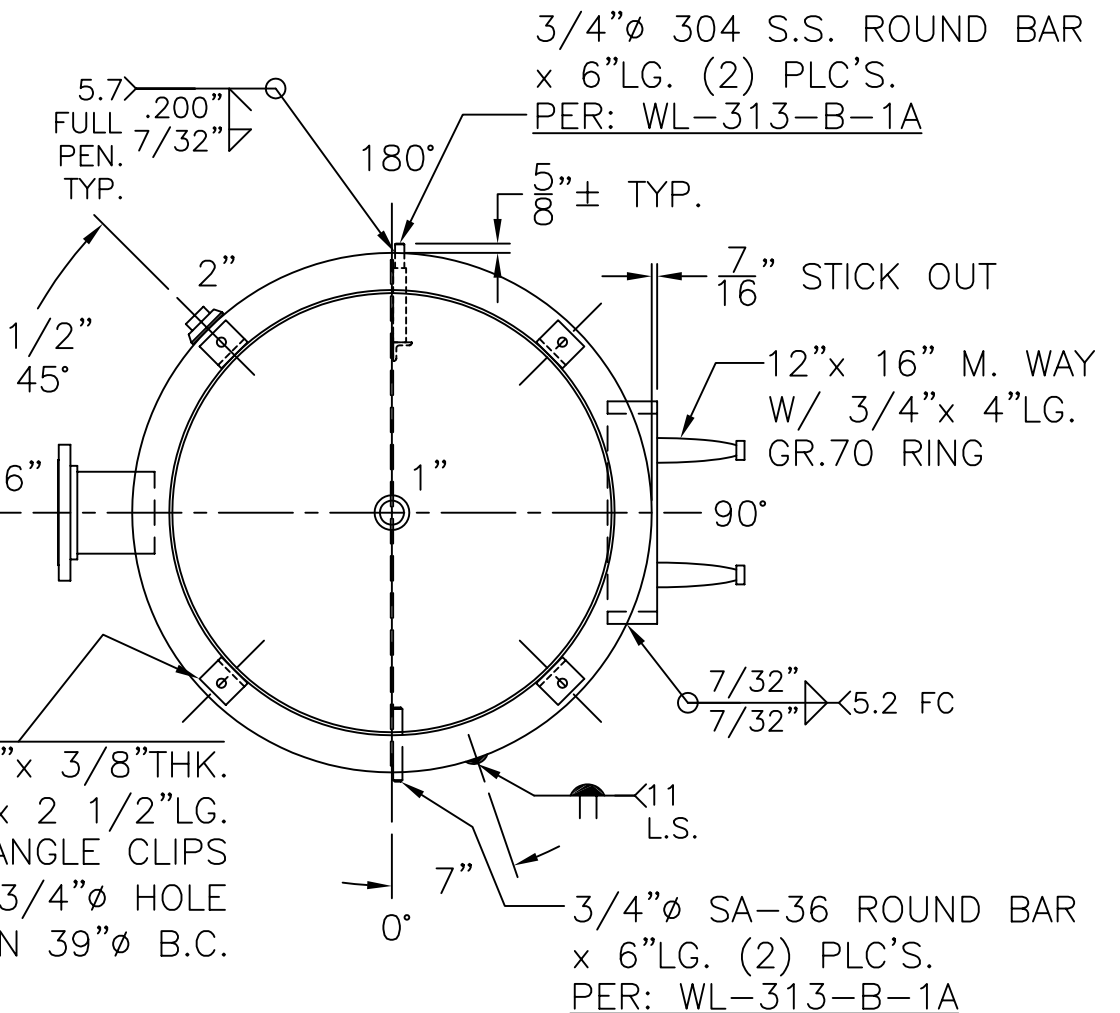


2) WELD 3/4"Ø ROUND BARS TO SHELL AFTER HEADS ARE IN PLACE.

NOTE: 1) HYDRO @ 163 PSIG. MIN.



SHELL / HEADS	
JOGGLE	.250" SA-455 2:1 S.E.
M.A.W.P.	125 PSIG. @ 200 °F
M.D.M.T.	0 °F @ 125 PSIG.
ASME SECTION VIII	DIV. 1, 2013
X-RAY:	RT-NO
GALLONS:	405 WT. 1060 LBS.
SERIAL NO.	
N.B.	

WL-313-B	
FOR: HANSON STANDARD	REV. 2-12-14
VERT. CHILLED WATER TANK	DATE: 11-4-05
SURFACE AREA = 77.0 SQ. FT.	
INSIDE: UNPAINTED	
OUTSIDE: PRIME	
BY: E.S.	SCALE: 3/4"=12"
ROY E. HANSON JR. MFG.	
1600 E. WASHINGTON BLVD.	
LOS ANGELES, CA 90021	