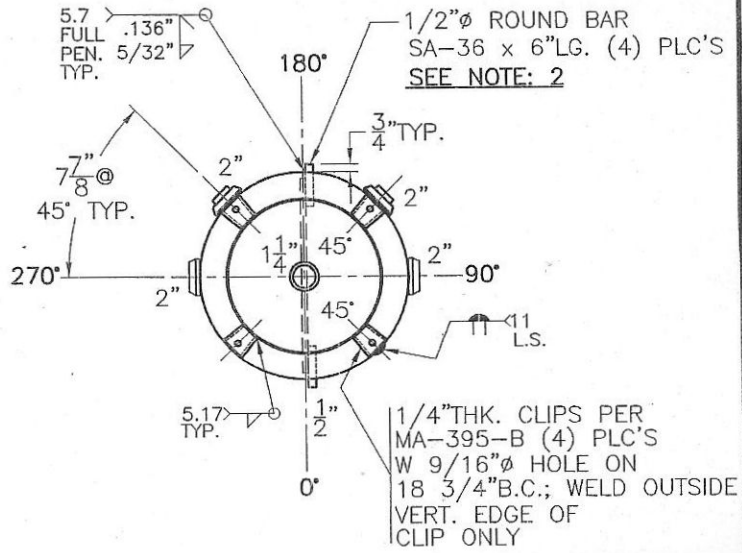
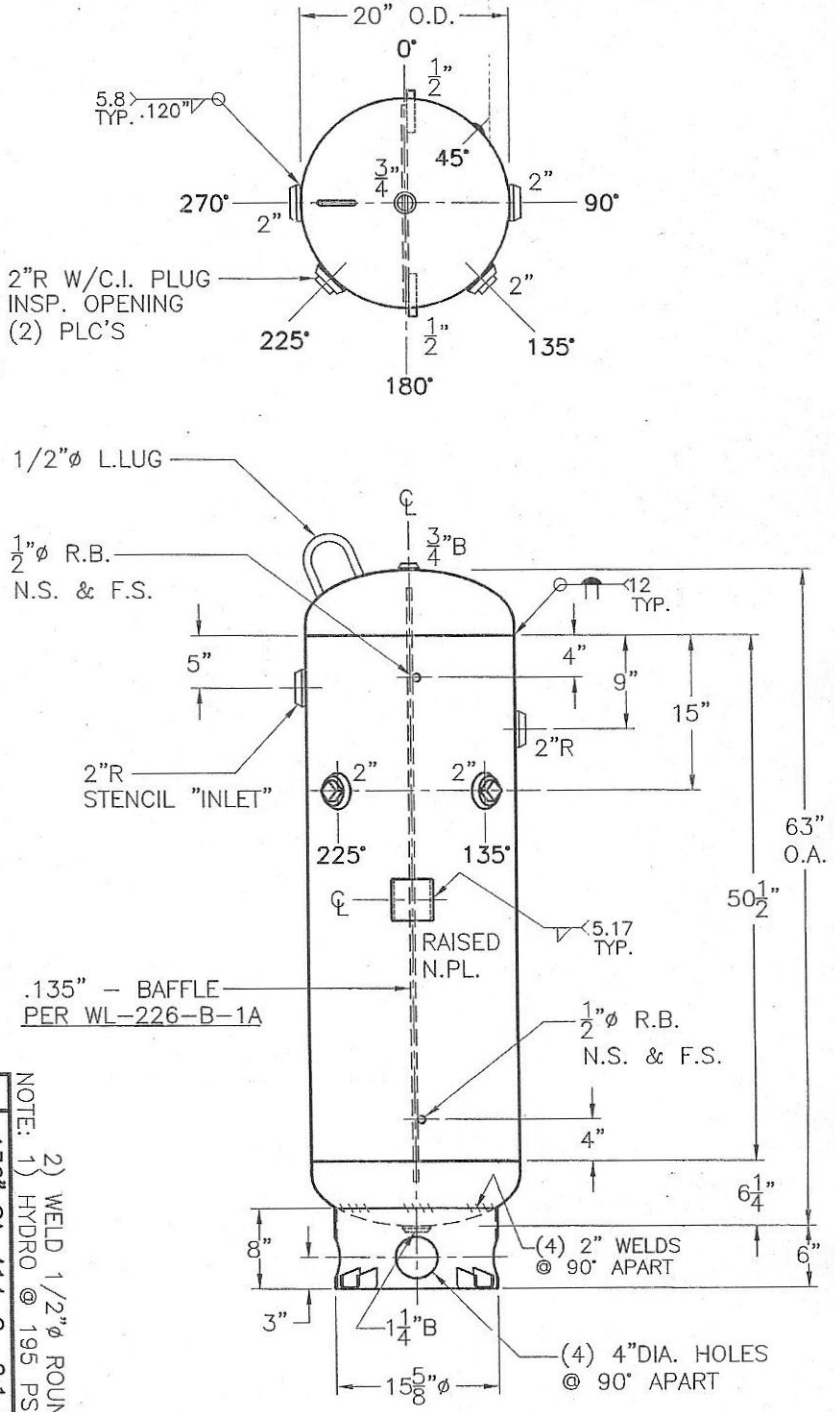


DATE	BY



NOTE: 1) HYDRO @ 195 PSIG. MIN.
 2) WELD 1/2" ROUND BARS TO SHELL AFTER HEADS ARE IN PLACE.

SHELL / HEADS	
M.A.W.P.	150 PSIG. @ 200 °F
M.D.M.T.	-20 °F @ 150 PSIG.
ASME SECTION VIII	DIV. 1, 2010 ADD 2011
X-RAY:	RT=NO
GALLONS:	80
SERIAL NO.	WT. 201 LBS.
N.B.	
.136" SA-414-G	
JOGGLE - 149 OFFSET	
.136" SA-414-G	
FOR: HANSON STANDARD	
VERT. CHILLED WATER TANK	
SURFACE AREA = 29.2 SQ. FT.	
INSIDE: UNPAINTED	
OUTSIDE: SHOP PRIME	
BY: J.G.	
SCALE: 1"=12"	
REV. 8-21-13	
DATE: 8-23-05	
WL-226-B	
1600 E. WASHINGTON BLVD.	
LOS ANGELES, CA 90011	
ROY E. HANSON JR. MFG.	