

2" R W/ C.I. PLUG
INSP. OPENINGS
(2) PLC'S.

10" SCH 40
PIPE x 8" LG.
W/VICTAULIC GROOVE
(2) PLC'S

.166" - BAFFLE
PER: WK-888-B-1A

3/4" ϕ SOLAR
L. LUG
(2) PLC'S

3/4" ϕ N.S.
& F.S.

RAISED
N.PL.

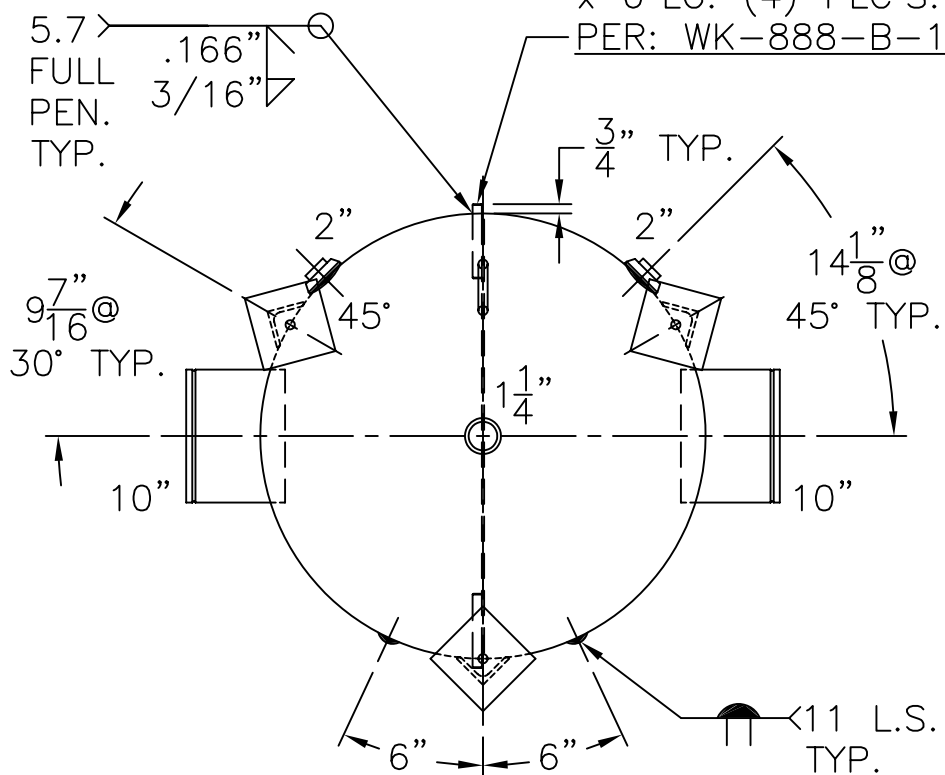
3/4" ϕ N.S.
& F.S.

L.L.
N.S.

(3) 3" x 3" x 3/8" THK.
x 21 9/16" LG. ANGLE LEGS

(3) 6" x 6" x 7/16" THK.
PAD W/1" ϕ HOLE

3/4" ϕ ROUND BAR
x 6" LG. (4) PLC'S.
PER: WK-888-B-1A



NOTE: 1) HYDRO @ 163 PSIG. MIN.
2) WELD 3/4" ϕ ROUND BARS TO SHELL AFTER HEADS ARE IN PLACE.

SHELL / HEADS		.182" SA-455 2:1 S.E.	
JOGGLE		.166" SA-414-G	
M.A.W.P.	125 PSIG. @ 200 °F	WK-888-B	
M.D.M.T.	-20 °F @ 125 PSIG.	FOR: -	REV. 11-11-04
ASME SECTION VIII	DIV. 1, 2001 ADD. 2003	VERT. CHILLED WATER TANK	DATE: 11-8-04
X-RAY:	RT-NO	INSIDE: UNPAINTED	
GALLONS:	500	OUTSIDE: PRIME	
SERIAL NO.		LEG-ZONE 3-15 KM.	
N.B.		BY: J.G./STEVE	
		SCALE: 3/4"=12"	
		ROY E. HANSON JR. MFG.	
		1924 COMPTON AVE.	
		LOS ANGELES, CA 90011	