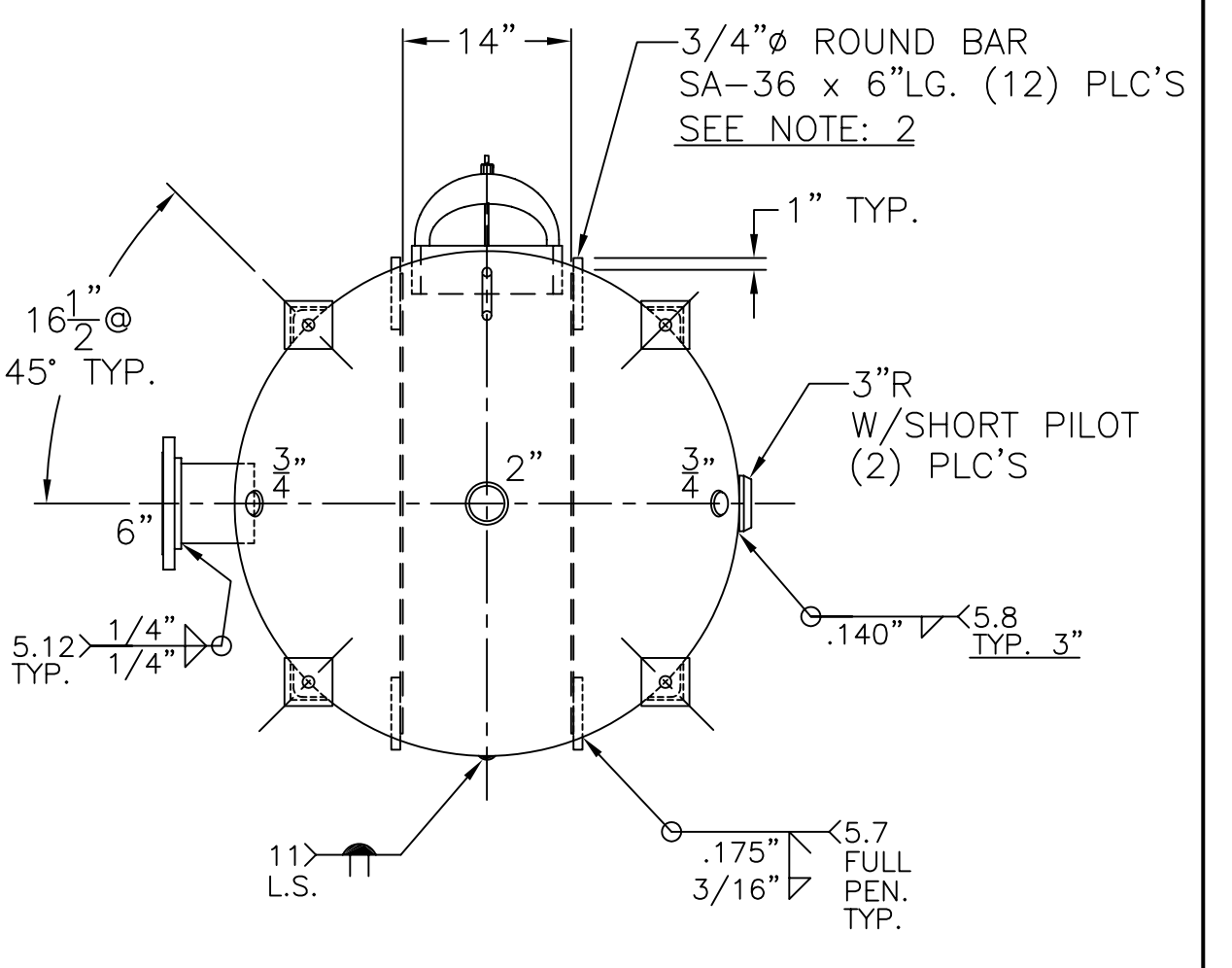


NOTE: 1) 2) WELD 3/4" Ø ROUND BARS TO SHELL AFTER HEADS ARE IN PLACE. HYDRO @ 165 PSIG. MIN.



SHELL / HEADS		.205" SA-455 2:1 S.E.	
JOGGLE			
.175" SA-414-G			
M.A.W.P.	125 PSIG. @ 100 °F		
M.D.M.T.	0 PSIG. @ 125 °F		
ASME SECTION VIII DIV. 1, 2004 ADD 2005			
X-RAY:	RT-4 SPOT L.S. ONLY		
GALLONS:	420	WT.	1021 LBS.
SERIAL NO.			
N.B.			
<b>WK-887-B</b>		REV.	11-3-06
FOR: VERT. CHILLED WATER TANK		DATE:	11-4-04
SURFACE AREA = 79.7 SQ. FT.			
INSIDE: HOT DIP GALVANIZED			
OUTSIDE: HOT DIP GALVANIZED			
LEG ZONE: 1-15 KM.			
BY: J.G./STEVE		SCALE: 3/4"=12"	
<b>ROY E. HANSON JR. MFG.</b>			
1600 E. WASHINGTON BLVD.			
LOS ANGELES, CA 90021			