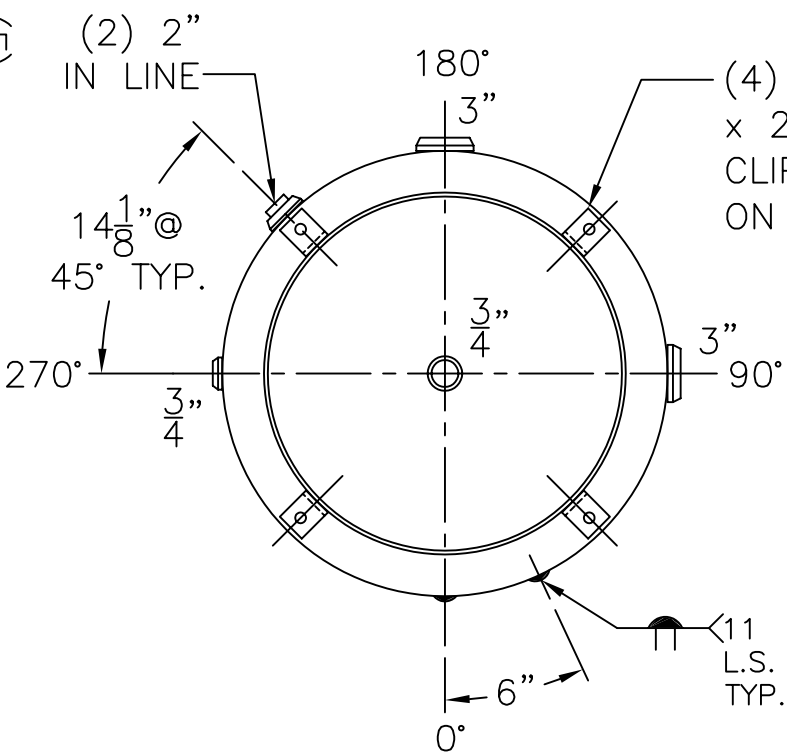


NOTE: 1) 2) 3)
 HYDRO @ 215 PSIG. MIN. NO IMPACT TESTING UG-20 (F)
 DRAIN FOR HORIZONTAL MOUNT ADDED AFTER SERIAL #423,136



SHELL / HEADS	.165" SA-414-G 2:1 S.E.	JOGGLE	(.162" MIN.)	.164" SA-414-G	INSIDE: UNPAINTED
M.A.W.P.	165 PSIG. @ 400 °F	FOR: HANSON STANDARD		B.C. CRN #K5761.1	
M.D.M.T.	-20 °F @ 165 PSIG.	VERT. AIR TANK			
ASME SECTION VIII	DIV. 1, 2013				
X-RAY:	RT-4 SPOT L.S. ONLY				
GALLONS:	500	WT.	726 LBS.		
SERIAL NO.					
N.B.					
36-VM-500-R		REV. 1-16-14			
DATE: 10-10-83					
SCALE: 3/4"=12"					
BY: E.S.					
CAD "B" SIZE UNDER "STD"-SERIES					
OUTSIDE: PRIME					
INSIDE: UNPAINTED					
VERT. AIR TANK					
B.C. CRN #K5761.1					
FOR: HANSON STANDARD					
JOGGLE (.162" MIN.)					
.165" SA-414-G 2:1 S.E.					
SHELL / HEADS					

1600 E. WASHINGTON BLVD.
 LOS ANGELES, CA 90021

ROY E. HANSON JR. MFG.