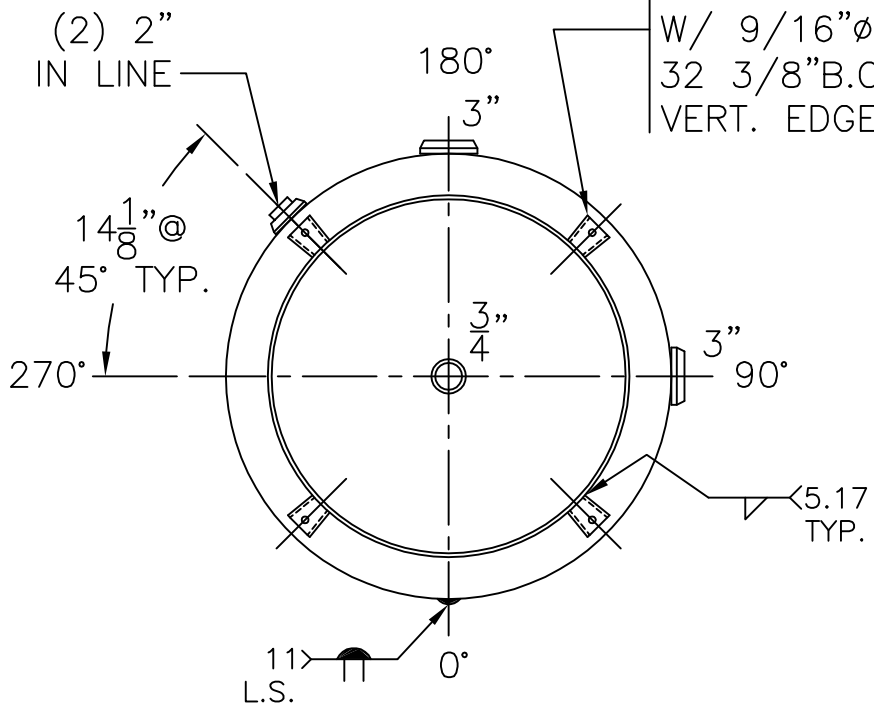


1/4" THK. CLIPS PER MA-395-B (4) PLC'S. W/ 9/16" ϕ HOLE ON 32 3/8" B.C.; WELD OUTSIDE VERT. EDGE OF CLIP ONLY



NOTE: 1) IMPACT TEST? NO UG-20(+)
2) HYDRO @ 215 PSIG. MIN.

SHELL / HEADS	
JOGGLE	.165" SA-414-G 2:1 S.E.
	.164" SA-414-G
M.A.W.P.	165 PSIG. @ 400 °F
M.D.M.T.	-20 °F @ 165 PSIG.
ASME SECTION VIII	DIV. 1, 2015
X-RAY:	RT-4 SPOT L.S. ONLY
GALLONS:	400 WT. 615 LBS.
SERIAL NO.	
N.B.	
36-VM-400-R	
FOR: HANSON STANDARD	REV. 2-17-16
VERT. AIR TANK	DATE: 12-8-86
SURFACE AREA = 82.3 SQ. FT.	
CRN-ALBERTA #49001.2	
INSIDE: UNPAINTED	
OUTSIDE: PRIME	
CAD-"B" UNDER "STD"-SERIES	
BY: E.S.	SCALE: 3/4"=12"
ROY E. HANSON JR. MFG.	
LOS ANGELES, CA 90021	