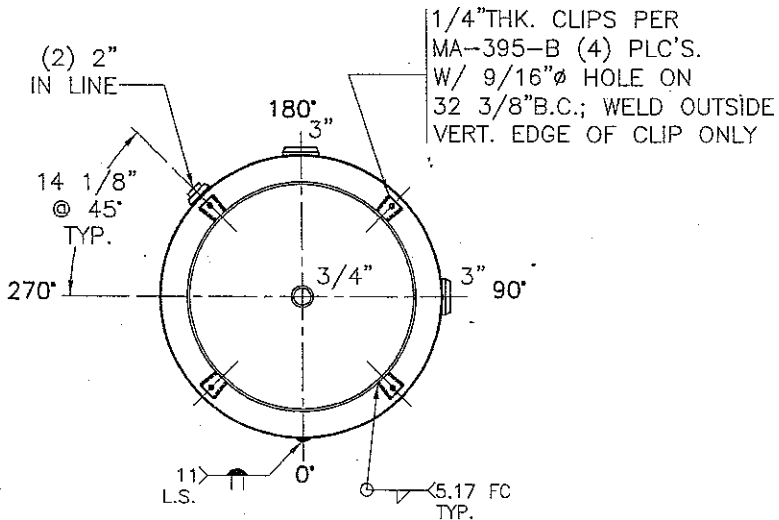


NOTE: 1) HYDRO @ 390 PSIG. MIN.

SHELL / HEADS		36-VD-400-R	
.318" SA-455 (.295" MIN.)		REV. 7-24-14	
M.A.W.P. 300 PSIG. @ 400 °F		DATE: 3-24-99	
M.D.M.T. -20 °F @ 300 PSIG.		FOR: HANSON STANDARD	
ASME SECTION VIII DIV. 1, 2013		VERT. AIR TANK	
X-RAY: RT-4 SPOT L.S. ONLY		INSIDE: UNPAINTED	
GALLONS: 400		OUTSIDE: PRIME	
SERIAL NO. N.B.		CAD-"B" UNDER "STD"-SERIES	
		BY: J.A. SCALE: 3/4"=12"	
		ROY E. HANSON JR. MFG.	
		1600 E. WASHINGTON BLVD.	
		LOS ANGELES, CA 90021	



1/4" THK. CLIPS PER MA-395-B (4) PLC'S. W/ 9/16" Ø HOLE ON 32 3/8" B.C.; WELD OUTSIDE VERT. EDGE OF CLIP ONLY