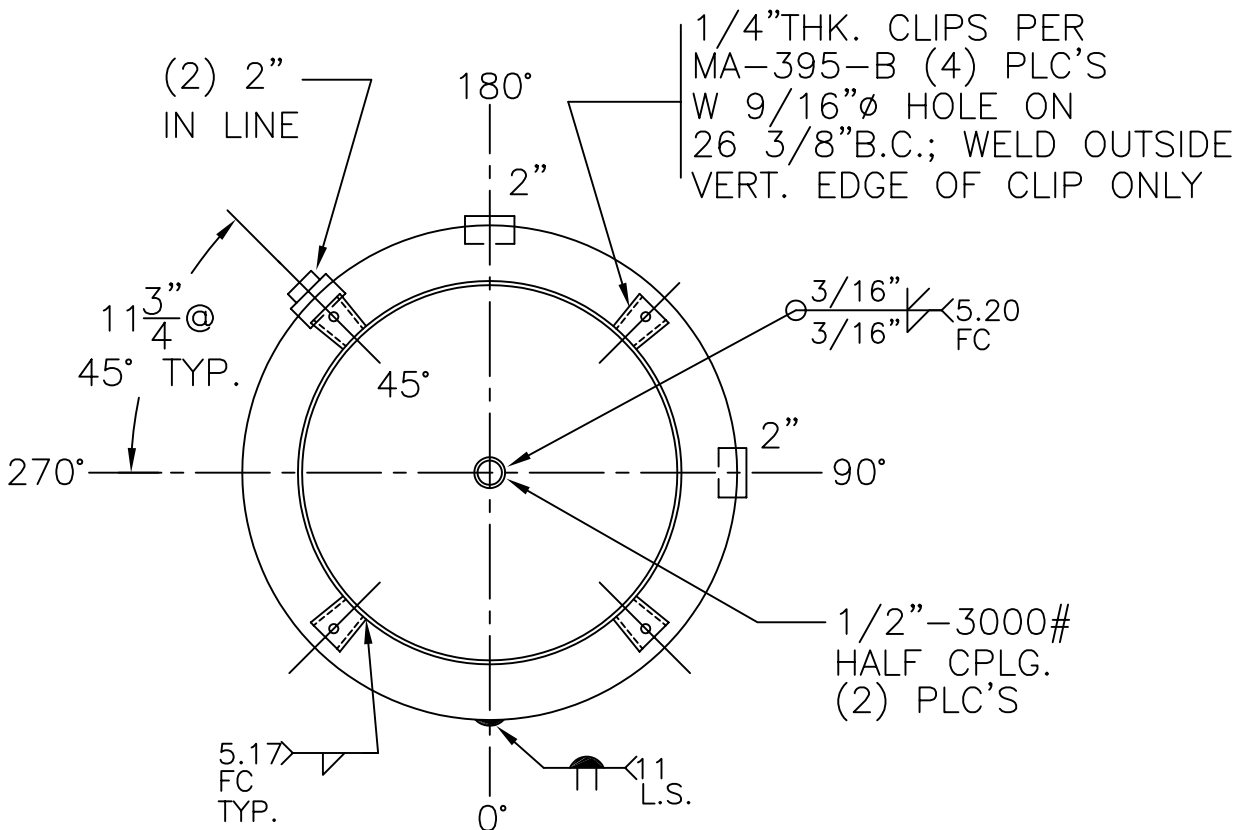


2" - 3000# H.C. W/STL. PLUG INSP. OPENING (2) PLC'S

NOTE: 1) HYDRO @ 520 PSIG. MIN.

SHELL / HEADS	
M.A.W.P.	400 PSIG. @ 400 °F
M.D.M.T.	-20 °F @ 400 PSIG.
ASME SECTION VIII	DIV. 1, 2010 ADD 2010
X-RAY:	RT-4 SPOT L.S. ONLY
GALLONS:	200 WT. 795 LBS.
SERIAL NO.	
N.B.	

.338" SA-455 2:1 S.E. TRIM (.324" MIN.)	
.338" SA-455	
FOR: HANSON STANDARD	
VERT. AIR TANK	
SURFACE AREA = 52.0 SQ. FT.	
INSIDE: UNPAINTED	
OUTSIDE: PRIME	
CAD-"B" SIZE UNDER "STD"-SERIES	
BY: J.G.	SCALE: 1"=12"
ROY E. HANSON JR. MFG.	
1600 E. WASHINGTON BLVD.	
LOS ANGELES, CA 90021	



1/4" THK. CLIPS PER MA-395-B (4) PLC'S W 9/16" Ø HOLE ON 26 3/8" B.C.; WELD OUTSIDE VERT. EDGE OF CLIP ONLY