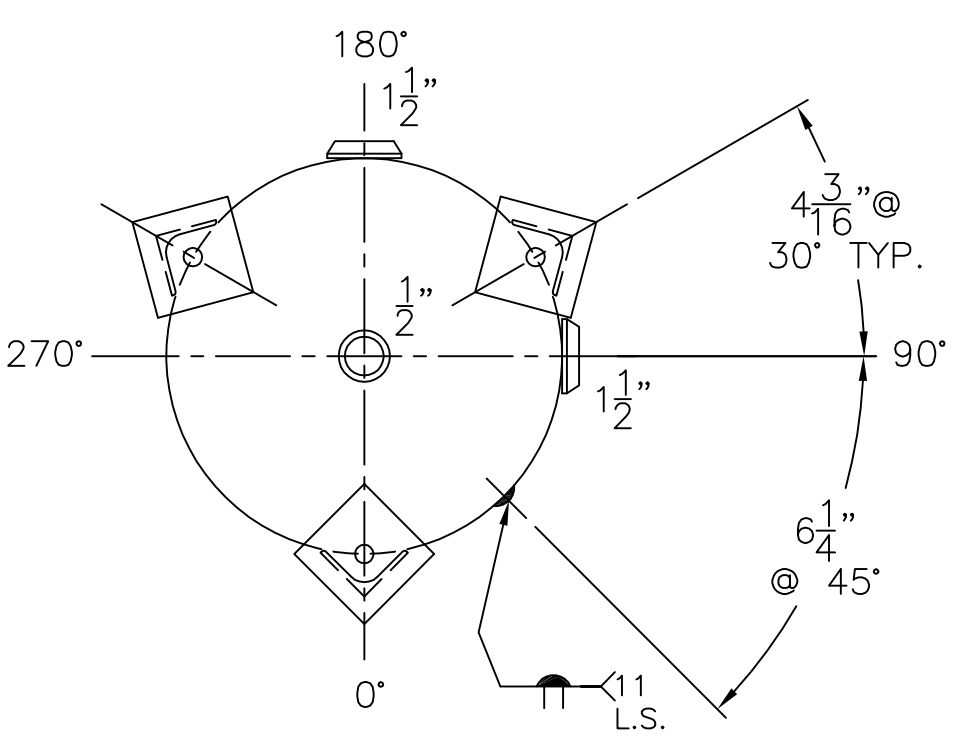


(3) 2 1/2" x 2 1/2" x 3/16" THK.
13 3/16" LG. ANGLE LEGS

(3) 4" x 4" x 1/4" THK.
PAD W/ 3/4" Ø HOLE



NOTE: 1) HYDRO @ 390 PSIG. MIN.

SHELL / HEADS	.149" SA-414-G 2:1 S.E.	16-VD-30-L	REV. 9-4-15
JOGGLE		FOR: HANSON STANDARD	DATE: 6-21-99
	.165" SA-414-G	VERT. AIR TANK	
		SURFACE AREA = 14.7 SQ. FT.	
		INSIDE: UNPAINTED	
M.A.W.P.	300 PSIG. @ 400 °F	OUTSIDE: PRIME	
M.D.M.T.	-20 °F @ 300 PSIG.	CAD-"B" SIZE UNDER "STD. SERIES	
ASME. SECTION VIII	DIV. 1, 2013	BY: E.S.	SCALE: 1/8"=1"
X-RAY:	RT-NO	ROY E. HANSON JR. MFG.	
GALLONS:	30	1600 E. WASHINGTON BLVD.	
SERIAL NO.		LOS ANGELES, CA 90021	
N.B.			