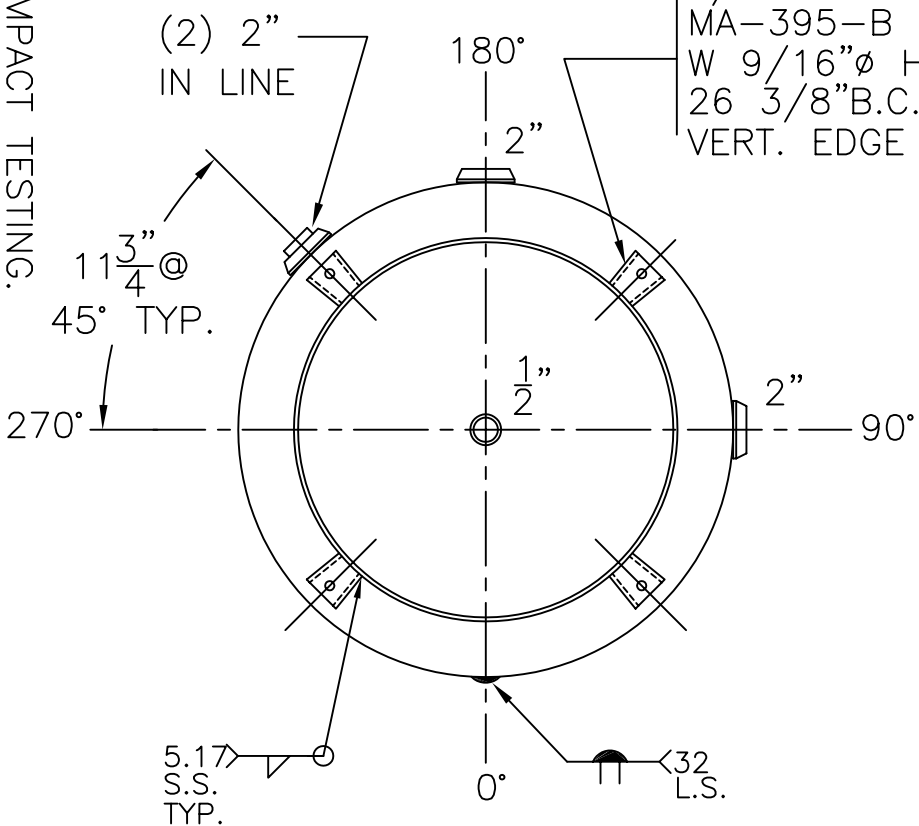


- NOTE: 1) HYDRO @ 260 PSIG. MIN.  
 2) NPT ARE SA-182-304 S.S.  
 3) UHA-51 (e)(2) NO IMPACT TESTING.  
 4) 2"-R HAS 10"R

304 S.S. -  
 1/4" THK. CLIPS PER  
 MA-395-B (4) PLC'S  
 W 9/16" Ø HOLE ON  
 26 3/8" B.C.; WELD OUTSIDE  
 VERT. EDGE OF CLIP ONLY



SHELL / HEADS		.1875" SA-240-304 S.S. 2:1 S.E.	
JOGGLED		30-VA-240-R	
.1875" SA-240-304 S.S.		304 S.S.	
M.A.W.P.	200 PSIG. @ 300 °F	FOR: HANSON STANDARD	REV. 12-30-11
M.D.M.T.	-155 °F @ 200 PSIG.	VERT. AIR TANK	DATE: 7-11-06
ASME. SECTION VIII	DIV. 1, 2010 ADD 2011	INSIDE: UNPAINTED - PASSIVATE	
X-RAY:	RT-4 SPOT L.S. ONLY	OUTSIDE: BEAD BLAST & PASSIVATE	
GALLONS:	240	WT. 540 LBS.	
SERIAL NO.		BY: J.G.	SCALE: 1"=12"
N.B.		<b>ROY E. HANSON JR. MFG.</b>	
		1600 E. WASHINGTON BLVD. LOS ANGELES, CA 90021	