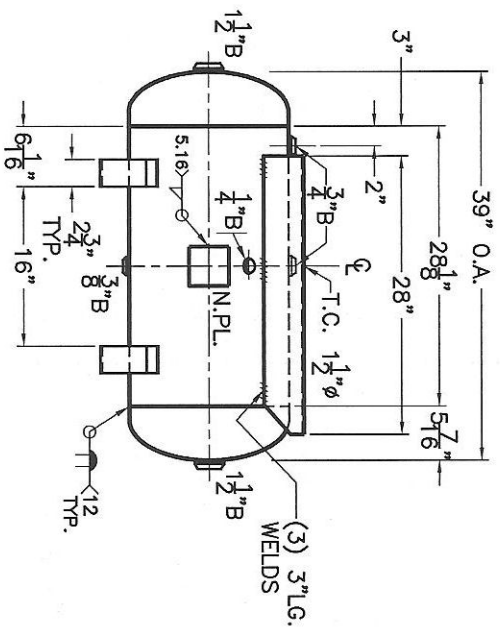
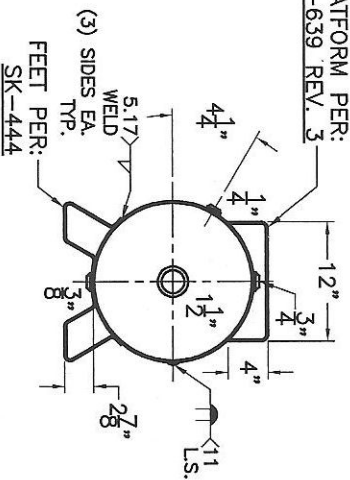


VIEW W/O SUPPORTS



PLATFORM PER: SK-639 REV. 3



NOTE: 1) HYDRO @ 390 PSIG. MIN.

HEADS	MA.W.P. 300 PSIG. @ 400 °F	HD-30-FF	REV. 8-12-13
SHELL	M.D.M.T. -20 °F @ 300 PSIG.	FOR: HANSON STANDARD	DATE: 12-21-81
	ASME SECTION VIII DIV. 1, 2010 ADD. 2011	HORIZ. AIR TANK	
	X-RAY: RT-NO	SURFACE AREA = 14.7 SQ. FT.	
	GALLONS: 30	INSIDE: UNPAINTED	
	SERIAL NO.		
	N.B.		
		OUTSIDE: PRIME	
		CAD "B" UNDER "STD" SERIES	
		BY: E.S.	
		SCALE: 1"=12"	
		ROY E. HANSON JR. MFG.	
		1600 E. WASHINGTON BLVD.	
		LOS ANGELES, CA 90021	